

2/2 WAY PISTON VALVE, G 1/2" ÷ 1"; BRONZE

TECHNICAL SPECIFICATIONS

Media: water, oil, air, aggressive media and steam ⁽¹⁾
Media temperature: -10°C ... +180°C
Ambient temperature: -10°C ... +60°C
Pilot media: air, inert gases, water
Body material: bronze (CB491K EN 1982 : 2000)
Bonnet material: brass (CW617N EN 12165 : 1999)
Actuator body: Polyamide PA6 (reinforced fiberglass 30%)
Seal material: PTFE type TFM 1600
Position indicator as standard

TYPE: COMPACT 45



BENEFITS

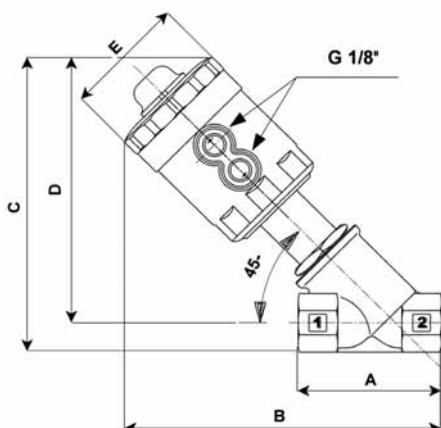
Waterhammer-free design for BCG type (2i 1)
Actuator housing rotation 360°
Design suitable for vacuum applications up to 10 ⁻² mbar

OPTIONS

NPT connection (ex. code CN205CTW00)

SELECTION TABLE	VALVES	connection	DN orifice	Flow rate Kvs	Working pressure ⁽¹⁾		Flow direction	Pilot pressure ⁽²⁾		Function
	Code	(ISO 228 G)	(mm)	(l/min)	min (bar)	max (bar)		min (bar)	max (bar)	
	CG205CTW00	1/2"	15	75	0	16	1i 2	3.8	10	normally closed
CG206CTX00	3/4"	20	133	0	16	1i 2	5.8	10	normally closed	
CG207CTY00	1"	25	208	0	16	1i 2	6.5	10	normally closed	
BCG205CTW00	1/2"	15	75	0	16 / 16	1i 2 / 2i 1	6.2 / 5	10	normally closed	
BCG206CTX00	3/4"	20	133	0	16 / 7	1i 2 / 2i 1	8.7 / 5	10	normally closed	
BCG207CTY00	1"	25	208	0	16 / 5	1i 2 / 2i 1	9.5 / 5	10	normally closed	
RCG205CTW00	1/2"	15	75	0	16	2i 1	4	10	normally open	
RCG206CTX00	3/4"	20	133	0	16	2i 1	6.2	10	normally open	
RCG207CTY00	1"	25	208	0	16	2i 1	8.8	10	normally open	
DCG205CTW00	1/2"	15	75	0	16 / 16	1i 2 / 2i 1	3	10	double acting	
DCG206CTX00	3/4"	20	133	0	16 / 16	1i 2 / 2i 1	5	10	double acting	
DCG207CTY00	1"	25	208	0	16 / 16	1i 2 / 2i 1	8.5	10	double acting	

(1) Steam: Max. working pressure 10 bar (9 barg); - (2) Minimum pilot pressure at max. working pressure; for lower working pressure see selection charts



VERSION

	NC normally closed, over seat flow (1i 2)
	NC normally closed, bidirectional (1↔2)
	NO normally open, under seat flow (2i 1)
	DOUBLE ACTING, bidirectional (1↔2)

DIMENSIONS & WEIGHTS

Connection	Actuator ø	A	B	C	D	E	weight
(ISO 228 G)	(mm)	(mm)	(mm)	(mm)	(mm)	(mm)	(kg)
1/2"	45	65	144	136	123	57	0.8
3/4"	45	75	149	142	126	57	0.9
1"	45	90	168	161	141	57	1.1