

5" TANK $\frac{3}{4}$ " VALVE AND 6" TANK 1" VALVE

HEADER TANK SOLUTIONS

MECAIR - 5" TANK 3/4" VALVE AND 6" TANK 1" VALVE HEADER TANK SOLUTIONS

PRODUCT LEAFLET

DESCRIPTION

FULL IMMERSION SYSTEM

The patented Mecair "Full Immersion" System consists of a round header tank with fully integrated diaphragm valves, suitable for dust collector filter applications, in particular for reverse pulse-jet filter cleaning of filter bags, cartridges, envelope filters, ceramic filters and sintered metal fibre filters. The Mecair 500 Series diaphragm valve has been specifically designed to be mounted onto a round header tank. This valve is exclusively a Mecair design and has a worldwide patent. The particular design of the Mecair 500 Series diaphragm valve allows you to fully optimise the increased flow rate and performance this valve has to offer, and also the simple way in which you can mount the header tank onto the filter wall, eliminating the excessive weight of the traditional square header tanks. The Mecair header tanks are manufactured and tested 100%, in accordance with global pressure vessel certificate (CE PED or ASME certified).

STANDARD CARBON STEEL PAINT SPECIFICATION

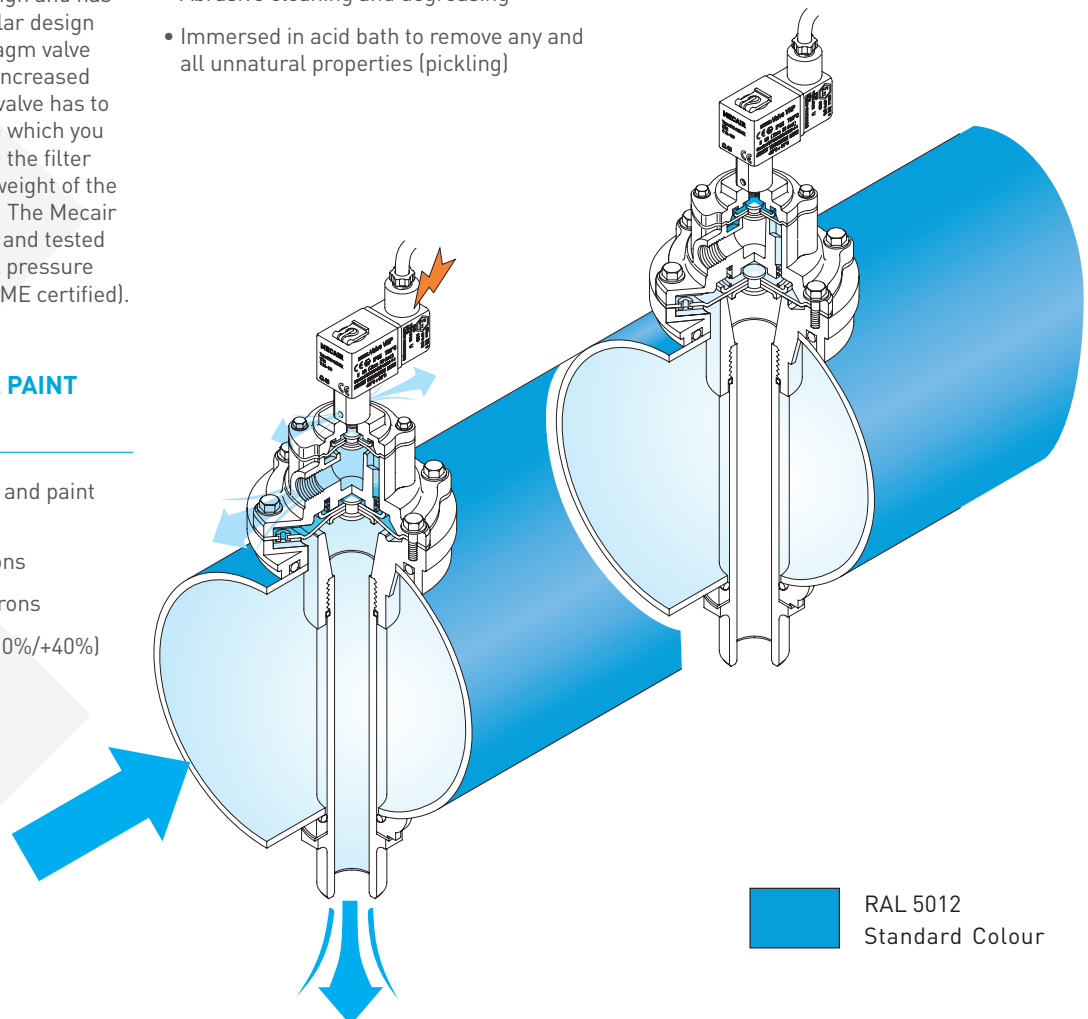
- Abrasive cleaning, degreasing and paint preparation
- Undercoat RAL 7042: 25 microns
- Final colour RAL 5012: 25 microns
- Total thickness 50 microns (-10%/+40%)

FULL IMMERSION STAINLESS STEEL

The Mecair 500 Series diaphragm valve is manufactured from diecast aluminium and is anodised. The valves are mounted on a painted carbon steel, stainless steel or aluminium tank.

TANK PREPARATION SPECIFICATION

- Abrasive cleaning and degreasing
- Immersed in acid bath to remove any and all unnatural properties (pickling)



MECAIR - 5" TANK 3/4" VALVE AND 6" TANK 1" VALVE

HEADER TANK SOLUTIONS

PRODUCT LEAFLET

CODES AND TECHNICAL CHARACTERISTICS

The 500 Series is available in the following versions:

- **VNP**, with integrated solenoid pilot
- **VEM**, with remote pneumatic connection. (upon request, the solenoid enclosures can be mounted and pre-cabled on tank.)

CONSTRUCTION FEATURES - VALVE

TOP COVER	Diecast aluminium (anodised)
BODY	Diecast aluminium (anodised)
PILOT BASE	Brass (chromed)
PILOT	Stainless steel
DIAPHRAGM	NBR
BOLTS	Stainless steel
DIAPHRAGM BACKING DISK	Stainless steel
DIAPHRAGM SPRING	Alloy steel

ELECTRICAL CHARACTERISTICS - SOLENOID

COIL INSULATION	Class H
DIN SOCKET CONNECTOR	PG9 connection
DIN SOCKET SPECIFICATION	EN175301 - 803 / A/ISO 4400
DIN SOCKET OPTIONAL	94/9/CE ATEX II 3GD T6
ISOLATION CLASS DIN SOCKET	VDE 0110 - 1/89
ELECTRICAL PROTECTION	IP65 EN60529
VOLTAGE RANGE	12 V DC [-5%, +20%] 18 W 24 V DC [-5%, +20%] 18 W 48 V DC [-10%, +20%] 18 W 110 V DC [-10%, +20%] 18 W 24 V 50/60 Hz [-10%, +20%] 38/31 VA 48 V 50/60 Hz [-10%, +20%] 41/32 VA 110/127 V 50/60 Hz [-10%, +20%] 63/53 VA 220/240 V 50/60 Hz [-10%, +20%] 46/37 VA

GENERAL CHARACTERISTICS

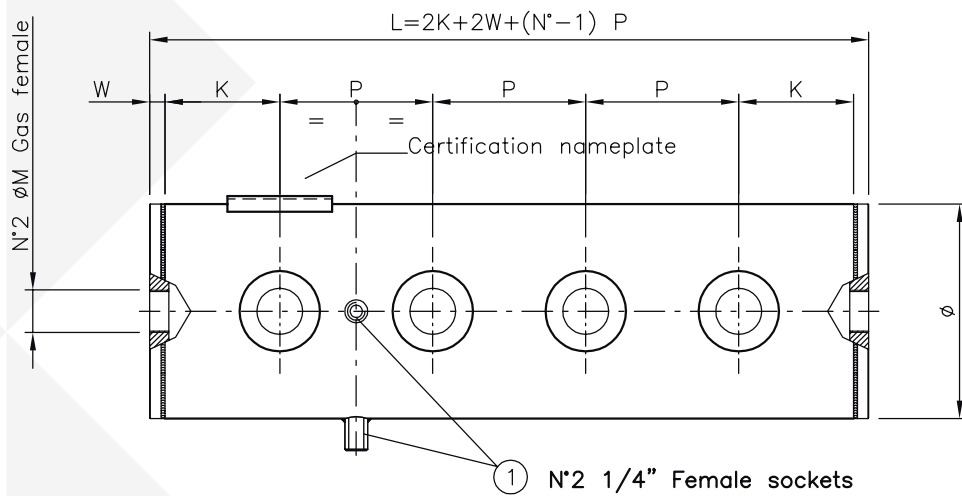
FLUIDS	Filtered air and oil free
DIAPHRAGM	Standard: NBR: -20°C/+120°C Viton: -30°C/+200°C
PRESSURE RANGE	0.5 to 7.5 bar

MODEL	PORT SIZE	NO. DIAPH.	PRESSURE RANGE (BAR)		COIL	KV	CV
			MIN.	MAX.			
VNP506	3/4"	1	0.5	7.5	Yes	15.1	17.5
VNP508	1"	1	0.5	7.5	Yes	26.3	30.6
VEM506	3/4"	1	0.5	7.5	No	15.1	17.5
VEM508	1"	1	0.5	7.5	No	26.3	30.6

MECAIR - 5" TANK 3/4" VALVE AND 6" TANK 1" VALVE HEADER TANK SOLUTIONS

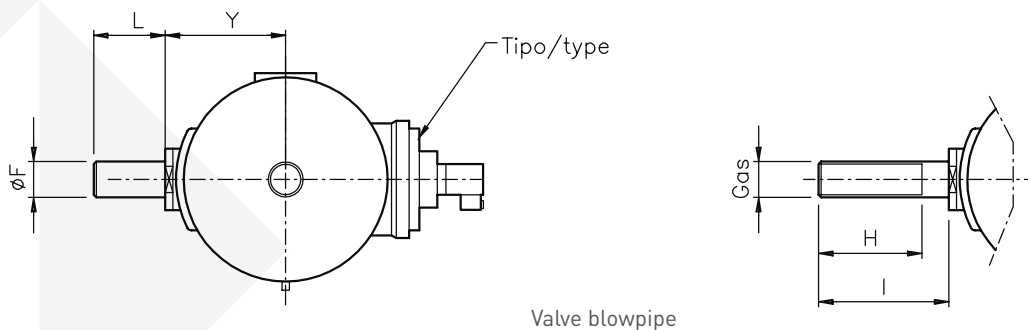
PRODUCT LEAFLET

TANK DIMENSIONS TABLE



Ø TANK	Ø VALVE	P MIN.	K MIN.	W	Ø M	TO BE COMPLETED BY CUSTOMER		
						P DISTANCE REQUIRED	N NUMBER OF VALVES	K OPTIONAL
DN5"	3/4"	95	75	15	1"			
DN6"	1"	120	90	15	1"			

* Only available with flat end caps and max. length size 4.6 metres. For lengths superior to those specified, please contact our technical department.



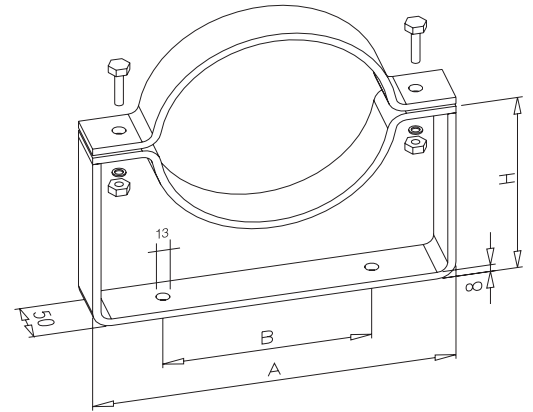
Ø TANK	Ø F	Y	SHORT UNTHREADED	L	LONG UNTHREADED	L	LONG THREADED	Ø G GAS	H	I
DN5"	26.7	93	TS506	60	TL506	80	TF506	3/4"	70	80
DN6"	33.4	106	TS508	60	TL508	100	TF508	1"	90	100

MECAIR - 5" TANK 3/4" VALVE AND 6" TANK 1" VALVE HEADER TANK SOLUTIONS

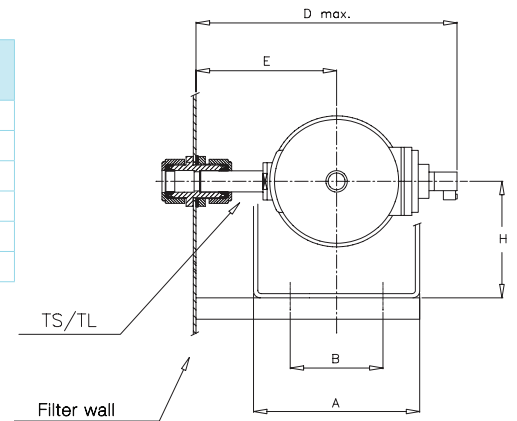
PRODUCT LEAFLET

BRACKET AND BLOWTUBE CONFIGURATIONS

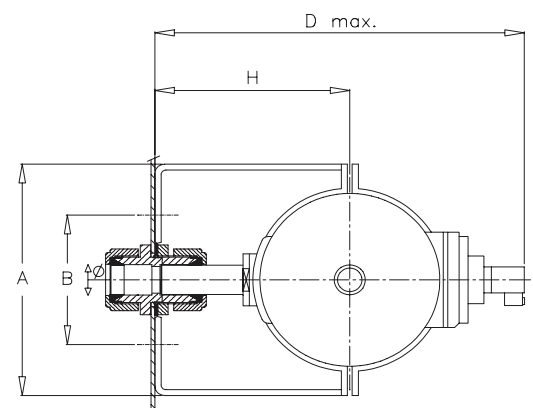
DN TANK	TYPE OF BRACKET	A	B	H
5" (141.3)	TH05	264	150	180
	TM05	264	150	160
	TB05	264	150	95
6" (168.3)	TH06	292	150	200
	TM06	292	150	170
	TB06	292	150	109



DN TANK	TYPE OF BRACKET	VALVE BLOWPIPE	E	D MAX.	VALVE BLOWPIPE	E	D MAX.
5" (141.3)	TH05	TS506	160	305	TL506	180	325
	TM05	TS506	160	305	TL506	180	325
	TB05	TS506	160	305	TL506	180	325
6" (168.3)	TH06	TS508	175	360	TL508	212	400
	TM06	TS508	175	360	TL508	212	400
	TB06	TS508	175	360	TL508	212	400



DN TANK	TYPE OF BRACKET	D MAX.	VALVE BLOWPIPE	Ø
5" (141.3)	TH05	325/360	TL506/558	3/4"
	TM05	305/340	TS506/558	3/4"
6" (168.3)	TM06	360/420	TS508/564	1"

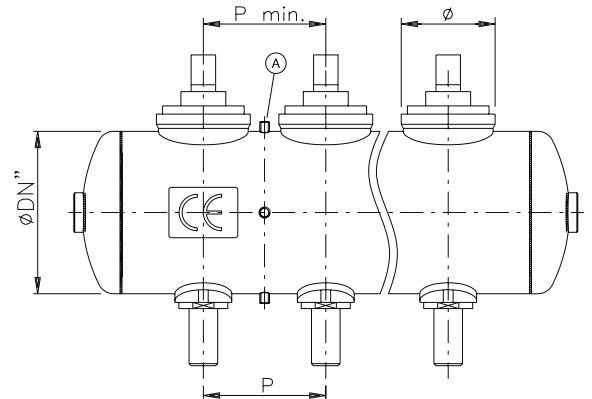


MECAIR - 5" TANK 3/4" VALVE AND 6" TANK 1" VALVE HEADER TANK SOLUTIONS

PRODUCT LEAFLET

TANK ASSEMBLY TABLE

Ø TANK	P MIN.	Ø VALVE BODY	P MIN. FOR INSTALLATION OF STANDARD BRACKETS	P MIN. PIPE STUB A
5" (141.3)	95	80	140	115
6" (168.3)	120	95	150	140



OPERATING RECOMMENDATIONS

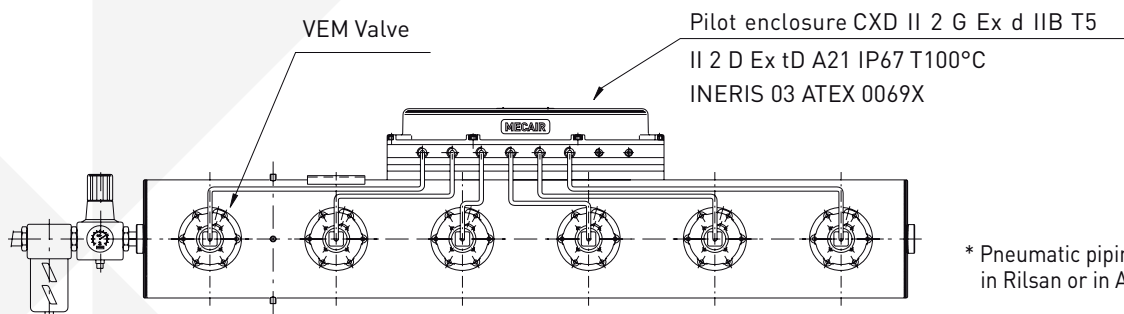
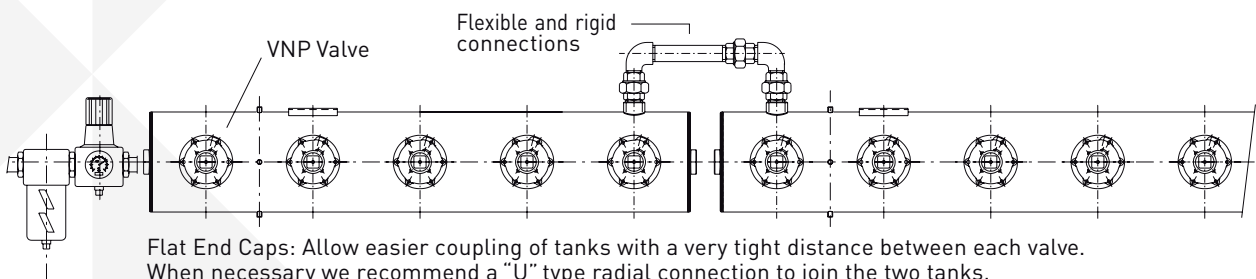
Ensure air supply is clean and dry. (We recommend the installation of compressed-air filter units to be installed directly before the pressure vessel, in order to ensure clean and dry air is supplied to the diaphragm valve). Operating pressure min./ max. 0.5–7.5 bar.

a) **AIR INLET PIPE TO HEADER TANK/ PRESSURE VESSEL:** Minimum \varnothing 1" for tanks with a 1" valve or 1½" valves. We

always recommend the air inlet pipe to tank to be the same size as the diameter of valve being used, or the next available size down. This ensures that the air supply to the tank is sufficient to allow the tank to refill in as short a time as possible. With the correct volume of air in the tank, this ensures the correct and efficient functioning of the diaphragm valve without any waste of compressed air.

b) **ORIENTATION:** Can work in all orientations.

c) **ELECTRICAL ON TIMES AND PULSE TIMES:** For the correct and efficient use of a diaphragm valve, it is important to set the correct pulse times and pause times. Average pulse times range from 100 ms–250 ms depending on size of the valves being used. Pause times also depend on number of valves in the filter, but MECAIR recommends a total cycle time of between 300 and 360 seconds for the total number of valves installed.

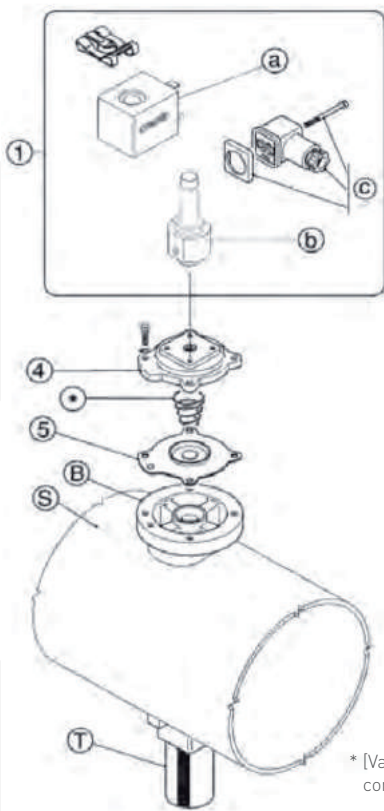


MECAIR - 5" TANK 3/4" VALVE AND 6" TANK 1" VALVE HEADER TANK SOLUTIONS

PRODUCT LEAFLET

SPARE PARTS

VEM/VNP 506 - 508



* [Valve Body(B) + Tank(S) + Valve blowpipe (T) are to be considered single and complete module.] [No spare parts available for this configuration.]

STANDARD VERSION

POS.	DESCRIPTION	CODE
1	a) Solenoid*	a) KIT SB4 - ../..*
	b) Pilot group complete with base and ferrule	b) KIT CP1/4
	c) DIN connector PG9EN175301-803 IP65	c) KIT PLG9

OPTIONAL VERSION

POS.	DESCRIPTION	CODE
1	a) Solenoid	a) KIT SB4 -24/DCX
	b) Pilot group complete with base and ferrule	b) KIT CP1/4
	c) DIN connector PG9EN175301-803 IP65	c) KIT PLG11 - ATEX

In conformity with 94/9/CE ATEX Directive (cod. KIT PV-24/DCX)

POS	DESCRIPTION	CODE	
		VEM/VNP506	VEM/VNP508
1	Pilot group complete with solenoid* and DIN connector	KIT PV - ../..*	KIT PV - ../..*
a+b+4	Pilot group complete with solenoid*, top cover and screws	KIT PVM06 - ../..*	KIT PVM08 - ../..*
4	Top cover	KIT M110082	KIT M10086
5	Diaphragm	KIT DB 16	KIT DB 18

* Specify voltage and frequency

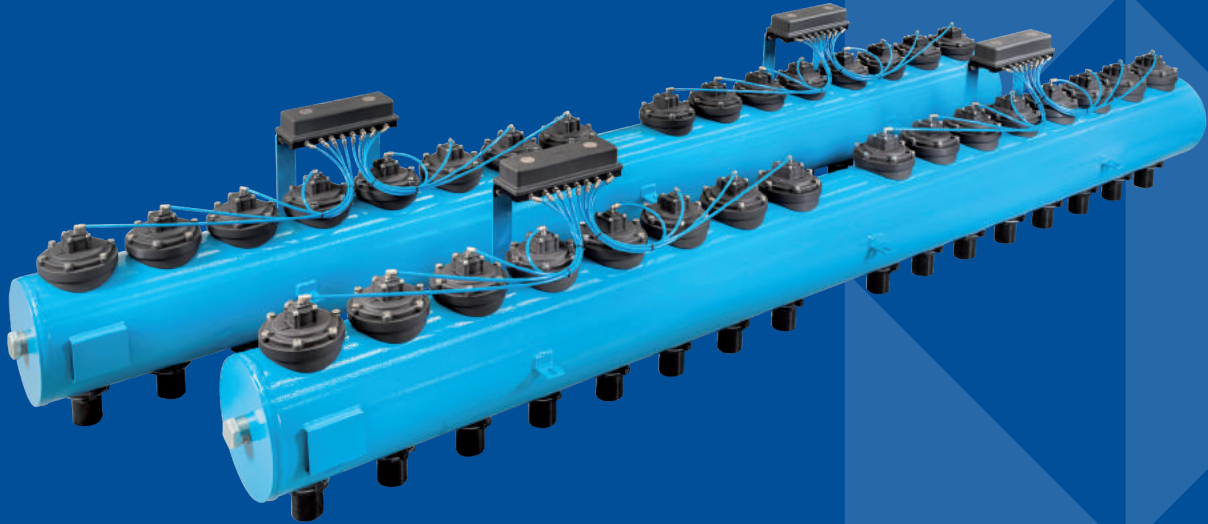


MECAIR SRL

VIA BERTACCIOLA, 50, 20813 BOVISIO MASCIAGO (MB), ITALY WWW.GOYENMECAIR.PENTAIR.COM

Note: The information and data contained in this document are based on our general experience and are believed to be correct. They are given in good faith and are intended to provide a guideline for the selection and use of our products. Since the conditions under which our products may be used are beyond our control, this information does not imply any guarantee of final product performance and we cannot accept any liability with respect to the use of our products. The quality of our products is guaranteed under our conditions of sale. Existing industrial property rights must be observed.

PL PENTAIR MECAIR HEADER TANK SOLUTIONS 5in T 3/4in V AND 6in T 1in V 3517 © 2017 Pentair. All Rights Reserved.



6 & 8" TANKS WITH 1½" VALVES

HEADER TANK SOLUTIONS

MECAIR - 6 & 8" TANKS WITH 1½" VALVES

HEADER TANK SOLUTIONS

PRODUCT LEAFLET

CLEAN AIR SOLUTIONS BY PENTAIR GOYEN MECAIR

Pentair is the global leader in reliable components, from pulse jet valves and pulse cleaning controllers through to certified engineered header tank solutions with or without full immersion valves. Since 1935, through our globally recognized brands Goyen and Mecair, we have provided engineering partnerships to some of the world's leading dust collector manufacturers.

Our valves deliver the most powerful air pulse. These diaphragm valves are designed for baghouses in which reverse pulse jet systems clean the filters, including all bag filters, cartridge filters, envelope filters, ceramic filters and sintered metal fiber filters.

Their tough and reliable design has led to their use in high-performance systems around the world to control the dispersion of noxious substances, improve indoor air quality in workplaces, or prevent harmful dust emissions. Advanced technology makes them suitable for demanding industries and processes, including:

- cement production
- mining applications
- silo and conveyor systems, bulk goods handling
- general industrial dust collection
- improving indoor workplace air quality
- preventing harmful emissions
- in the power industry, protecting boilers and gas turbines from dust particles

With quality being one of core strengths we are accredited with CSA, UL, CE, ATEX and ISO 9001, and our focus on environmental solutions means that we are ISO14001 accredited.

We support this process through our specialised software GOCO as part of our consultation and provide additional performance testing and modelling using computational fluid dynamics to ensure we:

- eliminate risk in your systems
- minimise your operating costs
- increase your filter life

Goyen and Mecair's advanced application expertise, along with our wide product range and global reach, has allowed us to maintain our valuable long-term customer partnerships based on innovation, experience and engineering trust.

MECAIR - 6 & 8" TANKS WITH 1½" VALVES

HEADER TANK SOLUTIONS

PRODUCT LEAFLET

The 1.5" port Mecair Full Immersion 512G and 514G Series technologies are high-performance filter cleaning systems delivering high filter cleaning flow rates and precise control of air consumption through the use of a super-responsive diaphragm assembly. These systems are widely implemented throughout industrial air filtration applications as well as for self-cleaning gas turbine intake filter systems. The Full Immersion is available with stainless steel or carbon steel tanks, in a variety of surface treatments, to meet PED or ASME certifications as required.

BENEFITS

- Exceptional service life
- Suitable for bag, cartridge and envelope filters
- Available with remote pilot or integral pilot arrangements
- High-quality precision seal and premium fabric-reinforced Nitrile diaphragm
- Proven longevity under typical operating conditions

TANK CERTIFICATIONS AVAILABLE

- 97/23/EC (PED)
- ASME VIII div.1 (U_Stamp; UM_Stamp)
- TR CERTIFICATION
- 94/9/EC ATEX DIRECTIVE



CODES & TECHNICAL CHARACTERISTICS

Part Number Code:

S E 14 C 2 0 N04 P180 M 5

End caps

- S** Flat (Mecair name plate)
- G** Flat (Goyen name plate)

Valve

- E** VEM - Remote pilot
- N** VNP - Integral pilot

Valve size and tank

- 12** 1.5" single-stage valve, 8" tank
- 14** 1.5" dual-stage valve, 8" tank
- 62** 1.5" single-stage valve, 6" tank
- 64** 1.5" dual-stage valve, 6" tank

Pilot/Exhaust Thread Type

- 0** NPT
 - 1** RC
 - 2** G
- } Cover 3/8"

Diaphragm material

- 0** Nitrile membrane, Akulon seat, Standard Temp (-40°C to +82°C)
- 1** Viton membrane, Viton rubberised seat, Aggressive service (-40°C to +232°C)
- 4** Low temperature, Nitrile membrane, Polyethylene seat, Low temp: -60°C to +82°C

Voltage options (Only if integrally piloted)

- 3** Dual rating: 110 V DC
220/240 V 50/60 Hz
- 4** Dual rating: 48 V DC
115 V 50/60 Hz
- 5** Dual rating: 24 V DC
48 V 50/60 Hz
- 6** Dual rating: 12 V DC
24 V 50/60 Hz

Solenoid (Only if integrally piloted)

- M** SB4 Series

Pitch

140 Minimum

valves

N01, N02, etc.

MECAIR - 6 & 8" TANKS WITH 1½" VALVES

HEADER TANK SOLUTIONS

PRODUCT LEAFLET

DIAPHRAGM KIT NUMBERS

514G & 564G KIT K514G	512G & 562G KIT K512G
--------------------------	--------------------------

CONSTRUCTION FEATURES - VALVE

TOP COVER	Diecast aluminium (E-coat black)
BODY	Diecast aluminium (E-coat black)
PILOT BASE	Aluminium (anodised)
PILOT	Stainless steel
DIAPHRAGM	Nitrile (standard) Viton (optional)
DIAPHRAGM SEAT	Nylon (standard)
BOLTS	Stainless steel
DIAPHRAGM BACKING DISK	Stainless steel
DIAPHRAGM SPRING	Stainless steel

TANK CHARACTERISTICS

CARBON STEEL	-10°C to 70°C
STAINLESS STEEL	-20°C to 70°C
PRESSURE RANGE	1 bar to 8.0 bar

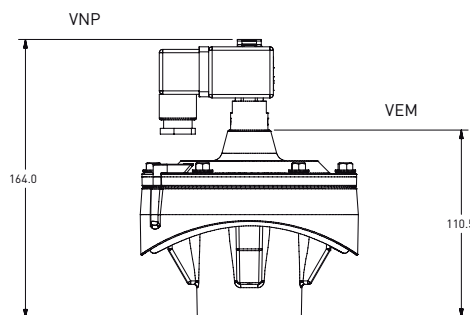
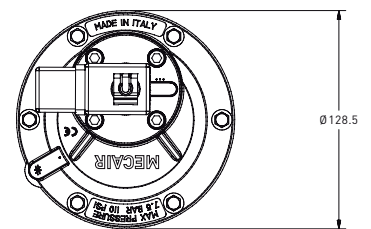
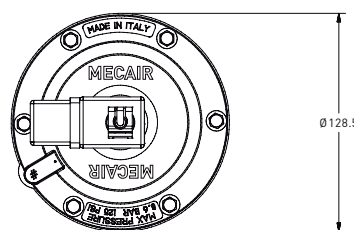
When specifying the system, check temperature and pressure limits for tank, diaphragm and solenoids.

Different temperature ranges may be available; please consult your options with Mecair.

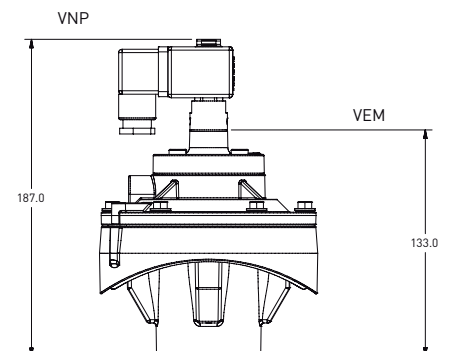
ELECTRICAL CHARACTERISTICS - SOLENOID

DIN SOCKET CONNECTOR	PG9 connection
DIN SOCKET SPECIFICATION	EN175301 - 803 / A/ISO 4400
DIN SOCKET OPTIONAL	94/9/CE ATEX II 3GD T6
ISOLATION CLASS DIN SOCKET	VDE 0110 - 1/89
ELECTRICAL PROTECTION	IP65 EN60529
VOLTAGE RANGE	12 V DC (-5%, +20%) 18 W 24 V DC (-5%, +20%) 18 W 48 V DC (-10%, +20%) 18 W 110 V DC (-10%, +20%) 18 W 24 V 50/60 Hz (-10%, +20%) 38/31 VA 48 V 50/60 Hz (-10%, +20%) 41/32 VA 110/127 V 50/60 Hz (-10%, +20%) 63/53 VA 220/240 V 50/60 Hz (-10%, +20%) 46/37 VA

MODEL	PORT SIZE	NO. DIAPH.	PRESSURE RANGE (BAR)		COIL	KV	CV
			MIN.	MAX.			
VEM512G	1½"	1	1	8.6	No	51	59
VEM514G	1½"	2	1	8.6	No	52	60
VNP512G	1½"	1	1	8.6	Yes	51	59
VNP514G	1½"	2	1	8.6	Yes	52	60
VEM562G	1½"	1	1	8.6	No	51	59
VEM564G	1½"	2	1	8.6	No	52	60
VNP562G	1½"	1	1	8.6	Yes	51	59
VNP564G	1½"	2	1	8.6	Yes	52	60



512G



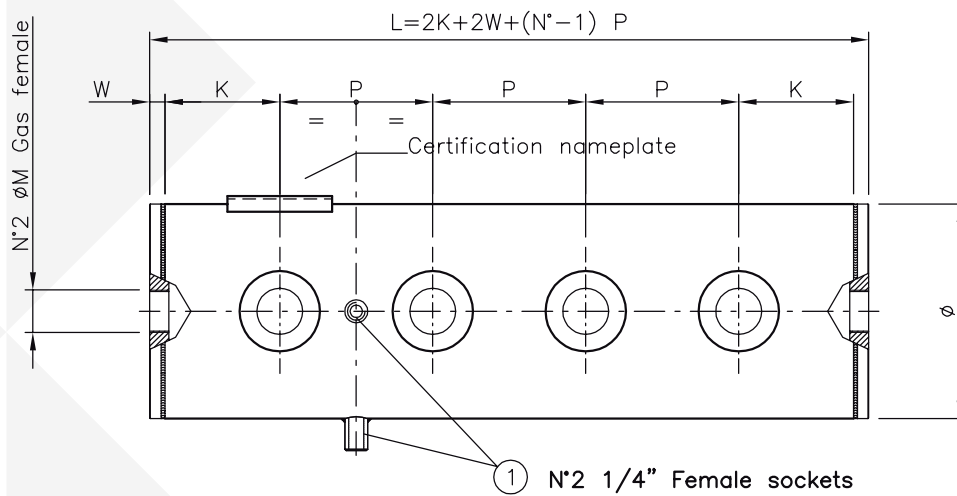
514G

MECAIR - 6 & 8" TANKS WITH 1½" VALVES

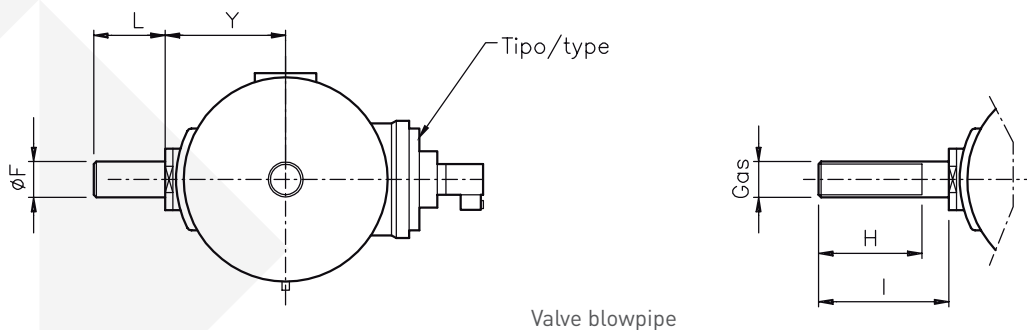
HEADER TANK SOLUTIONS

PRODUCT LEAFLET

TANK DIMENSIONS TABLE



Ø TANK	Ø VALVE	P MIN.	K MIN.	W	Ø M	TO BE COMPLETED BY CUSTOMER		
						P DISTANCE REQUIRED	N NUMBER OF VALVES	K OPTIONAL
DN6"	1½"	135	90	12	1"			
DN8"	1½"	135	90	16	1½"			



Ø TANK	Ø F	Y	SHORT UNTHREADED	L	LONG UNTHREADED	L	LONG THREADED	Ø G GAS	H	I
DN6"	48.3	106	TS564	60	TL564	120	TF564	1½"	110	120
DN8"	48.3	131	TS514	60	TL514	120	TF514	1½"	110	120

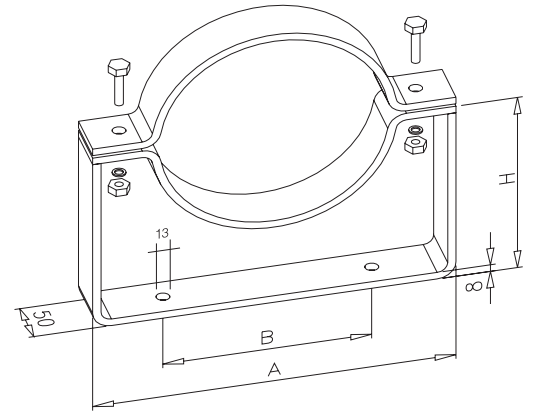
MECAIR - 6 & 8" TANKS WITH 1½" VALVES

HEADER TANK SOLUTIONS

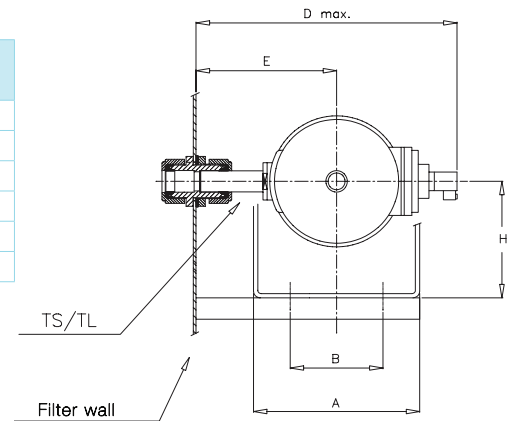
PRODUCT LEAFLET

BRACKET AND OUTLET PIPES CONFIGURATIONS

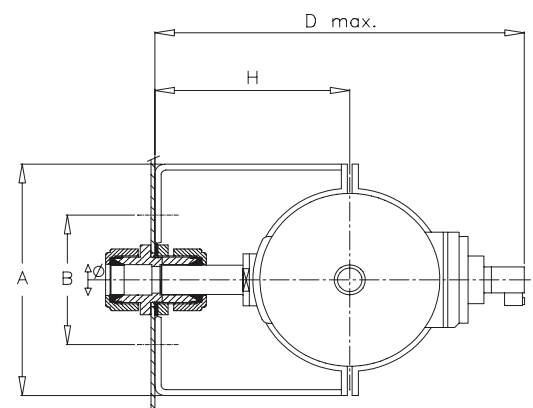
DN TANK	TYPE OF BRACKET	A	B	H
6"	TH06	292	150	200
	TM06	292	150	170
	TB06	292	150	109
8"	TH08	348	200	270
	TM08	348	200	210
	TB08	348	200	134



DN TANK	TYPE OF BRACKET	VALVE BLOWPIPE	E	D MAX.	VALVE BLOWPIPE	E	D MAX.
6"	TH06	TS564	175	425	TL564	212	465
	TM06	TS564	175	425	TL564	212	465
	TB06	TS564	175	425	TL564	212	465
8"	TH08	TS514	210	460	TL514	270	520
	TM08	TS514	210	460	TL514	270	520
	TB08	TS514	210	460	TL514	270	520



DN TANK	TYPE OF BRACKET	D MAX.	VALVE BLOWPIPE	Ø
6"	TM06	420	TS564	1"
8"	TH08	520	TL514	1½"
	TM08	460	TS514	1½"





MECAIR SRL

VIA BERTACCIOLA, 50, 20813 BOVISIO MASCIAGO (MB), ITALY WWW.GOYENMECAIR.PENTAIR.COM

Note: The information and data contained in this document are based on our general experience and are believed to be correct. They are given in good faith and are intended to provide a guideline for the selection and use of our products. Since the conditions under which our products may be used are beyond our control, this information does not imply any guarantee of final product performance and we cannot accept any liability with respect to the use of our products. The quality of our products is guaranteed under our conditions of sale. Existing industrial property rights must be observed.

PL PENTAIR MECAIR HEADER TANK SOLUTIONS 6 + 8in T 1 1_2in V 3517 © 2017 Pentair. All Rights Reserved.



10" TANK WITH 2" VALVE

HEADER TANK SOLUTIONS

MECAIR - 10" TANK WITH 2" VALVE

HEADER TANK SOLUTIONS

PRODUCT LEAFLET

DESCRIPTION

FULL IMMERSION SYSTEM

The patented Mecair "Full Immersion" System consists of a round header tank with fully integrated diaphragm valves, suitable for dust collector filter applications, in particular for reverse pulse-jet filter cleaning of filter bags, cartridges, envelope filters, ceramic filters and sintered metal fibre filters. The Mecair 500 Series diaphragm valve has been specifically designed to be mounted onto a round header tank. This valve is exclusively a Mecair design and has a worldwide patent. The particular design of the Mecair 500 Series diaphragm valve allows you to fully optimise the increased flow rate and performance this valve has to offer, and also the simple way in which you can mount the header tank onto the filter wall, eliminating the excessive weight of the traditional square header tanks. The Mecair header tanks are manufactured and tested 100%, in accordance with global pressure vessel certificate (CE PED or ASME certified).

STANDARD CARBON STEEL PAINT SPECIFICATION

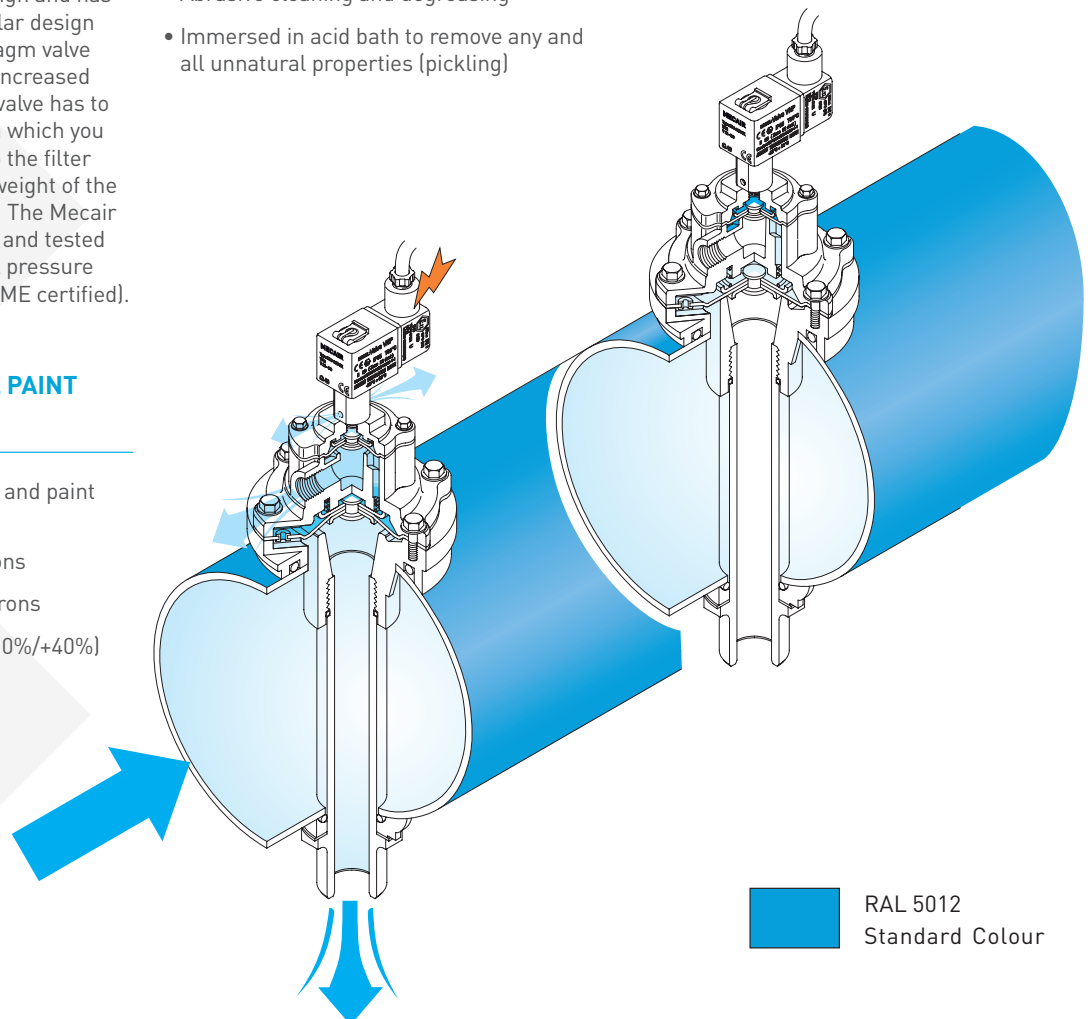
- Abrasive cleaning, degreasing and paint preparation
- Undercoat RAL 7042: 25 microns
- Final colour RAL 5012: 25 microns
- Total thickness 50 microns (-10%/+40%)

FULL IMMERSION STAINLESS STEEL

The Mecair 500 Series diaphragm valve is manufactured from diecast aluminium and is anodised. The valves are mounted on a painted carbon steel, stainless steel or aluminium tank.

TANK PREPARATION SPECIFICATION

- Abrasive cleaning and degreasing
- Immersed in acid bath to remove any and all unnatural properties (pickling)



MECAIR - 10" TANK WITH 2" VALVE

HEADER TANK SOLUTIONS

PRODUCT LEAFLET

CODES AND TECHNICAL CHARACTERISTICS

The 500 Series is available in the following versions:

- **VNP**, with integrated solenoid pilot
- **VEM**, with remote pneumatic connection. (upon request, the solenoid enclosures can be mounted and pre-cabled on tank.)

CONSTRUCTION FEATURES - VALVE

TOP COVER	Diecast aluminium (anodised)
BODY	Diecast aluminium (anodised)
PILOT BASE	Brass (chromed)
PILOT	Stainless steel
DIAPHRAGM	NBR
BOLTS	Stainless steel
DIAPHRAGM BACKING DISK	Stainless steel
DIAPHRAGM SPRING	Alloy steel

ELECTRICAL CHARACTERISTICS - SOLENOID

COIL INSULATION	Class H
DIN SOCKET CONNECTOR	PG9 connection
DIN SOCKET SPECIFICATION	EN175301 - 803 / A/ISO 4400
DIN SOCKET OPTIONAL	94/9/CE ATEX II 3GD T6
ISOLATION CLASS DIN SOCKET	VDE 0110 - 1/89
ELECTRICAL PROTECTION	IP65 EN60529
VOLTAGE RANGE	12 V DC [-5%, +20%] 18 W 24 V DC [-5%, +20%] 18 W 48 V DC [-10%, +20%] 18 W 110 V DC [-10%, +20%] 18 W 24 V 50/60 Hz [-10%, +20%] 38/31 VA 48 V 50/60 Hz [-10%, +20%] 41/32 VA 115 V 50/60 Hz [-10%, +20%] 63/53 VA 220/240 V 50/60 Hz [-10%, +20%] 46/37 VA

GENERAL CHARACTERISTICS

FLUIDS	Filtered air and oil free
DIAPHRAGM	Standard: NBR: -20°C/+120°C Viton: -30°C/+200°C
PRESSURE RANGE	0.5 to 7.5 bar

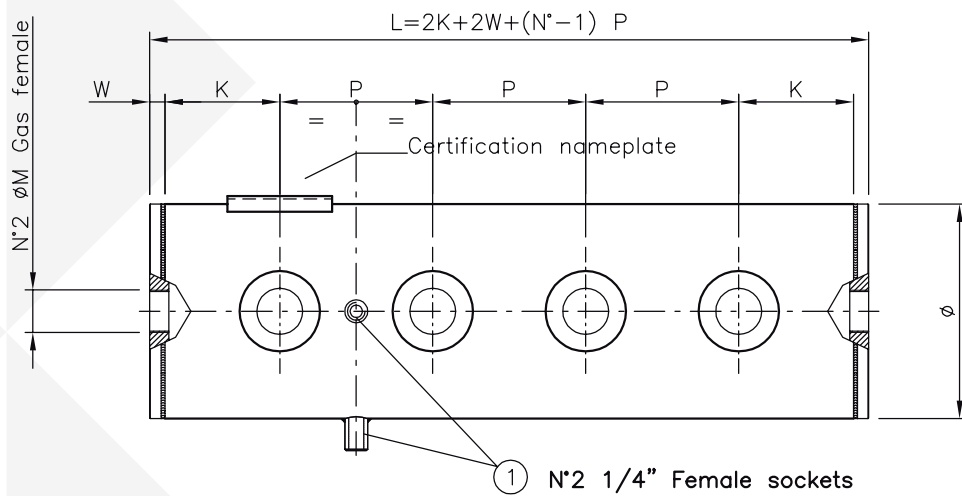
MODEL	PORT SIZE	NO. DIAPH.	PRESSURE RANGE [BAR]		COIL	KV	CV
			MIN.	MAX.			
VNP516	2"	2	0.5	7.5	Yes	110	128
VEM516	2"	2	0.5	7.5	No	110	128

MECAIR - 10" TANK WITH 2" VALVE

HEADER TANK SOLUTIONS

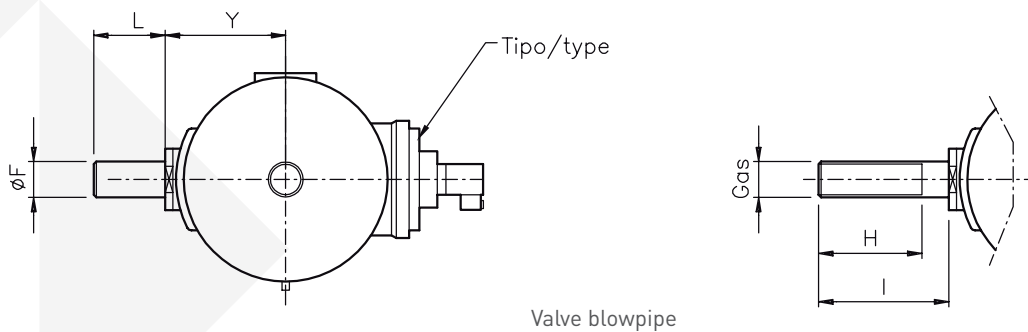
PRODUCT LEAFLET

TANK DIMENSIONS TABLE



						TO BE COMPLETED BY CUSTOMER		
Ø TANK	Ø VALVE	P MIN.	K MIN.	W	Ø M	P DISTANCE REQUIRED	N NUMBER OF VALVES	K OPTIONAL
DN10"	2"	180	115	18	1 1/2"			

* Only available with flat end caps and max. length size 4.6 metres. For lengths superior to those specified, please contact our technical department.



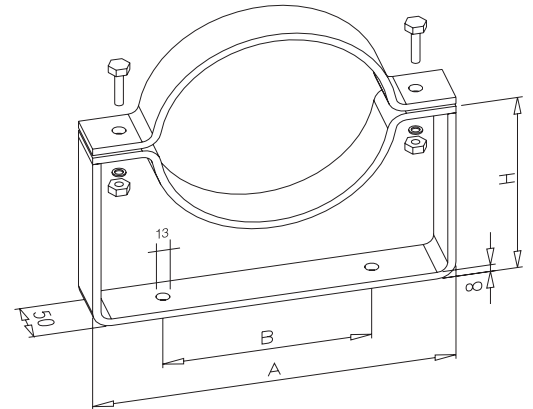
Ø TANK	Ø F	Y	SHORT UNTHREADED	L	LONG UNTHREADED	L	SHORT THREADED	Ø G GAS	H	I
DN10"	60.3	158	TS516	60	TL516	140	TF516	2"	130	140

MECAIR - 10" TANK WITH 2" VALVE HEADER TANK SOLUTIONS

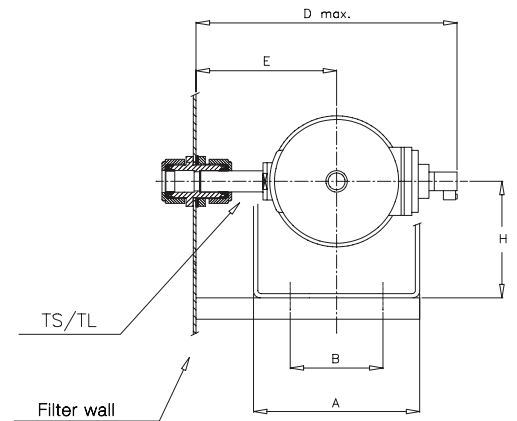
PRODUCT LEAFLET

BRACKET AND BLOWTUBE CONFIGURATIONS

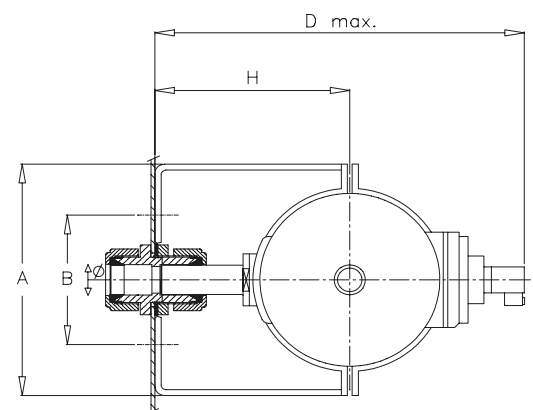
DN TANK	TYPE OF BRACKET	A	B	H
10" [273]	TH10	424	250	290
	TB10	424	250	161



DN TANK	TYPE OF BRACKET	VALVE BLOWPIPE	E	D MAX.
10" [273]	TH10	TL516	280	550
	TB10	TL516	280	550



DN TANK	TYPE OF BRACKET	D MAX.	VALVE BLOWPIPE	Ø
10" [273]	TH10	560	TL516	2"



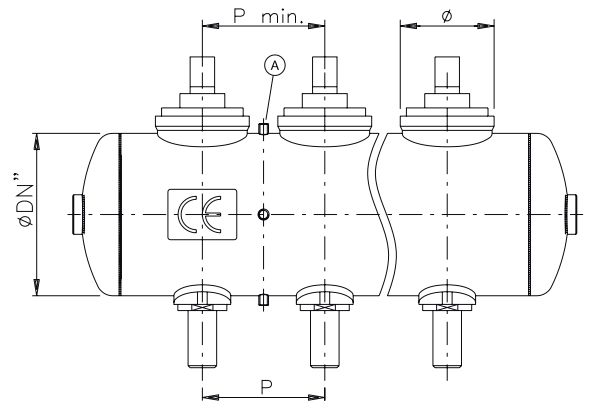
MECAIR - 10" TANK WITH 2" VALVE

HEADER TANK SOLUTIONS

PRODUCT LEAFLET

TANK ASSEMBLY TABLE

Ø TANK	P MIN.	Ø VALVE BODY	P MIN. FOR INSTALLATION OF STANDARD BRACKETS	P MIN. PIPE STUB A
DN 10" [273]	180	170	230	200



OPERATING RECOMMENDATIONS

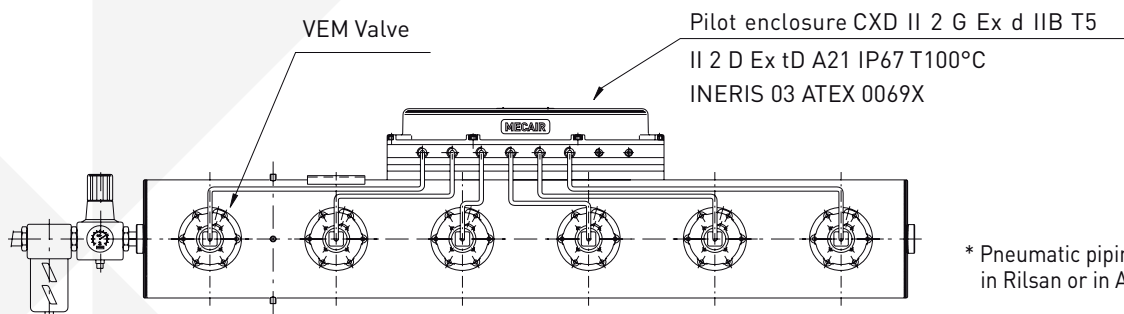
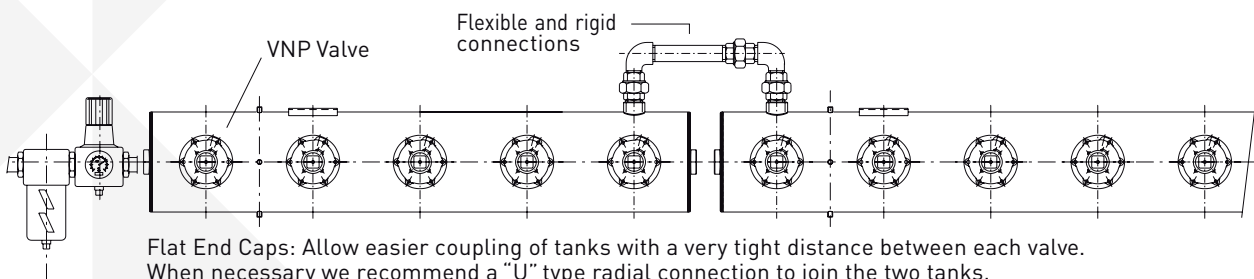
Ensure air supply is clean and dry. (We recommend the installation of compressed-air filter units to be installed directly before the pressure vessel, in order to ensure clean and dry air is supplied to the diaphragm valve). Operating pressure min./ max. 0.5–7.5 bar.

a) **AIR INLET PIPE TO HEADER TANK/ PRESSURE VESSEL:** Minimum \varnothing 1" for tanks with a 1" valve or 1½" valves. We

always recommend the air inlet pipe to tank to be the same size as the diameter of valve being used, or the next available size down. This ensures that the air supply to the tank is sufficient to allow the tank to refill in as short a time as possible. With the correct volume of air in the tank, this ensures the correct and efficient functioning of the diaphragm valve without any waste of compressed air.

b) **ORIENTATION:** Can work in all orientations.

c) **ELECTRICAL ON TIMES AND PULSE TIMES:** For the correct and efficient use of a diaphragm valve, it is important to set the correct pulse times and pause times. Average pulse times range from 100 ms–250 ms depending on size of the valves being used. Pause times also depend on number of valves in the filter, but MECAIR recommends a total cycle time of between 300 and 360 seconds for the total number of valves installed.

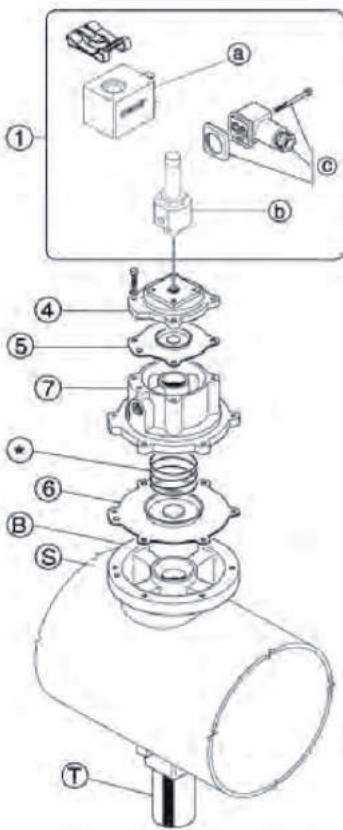


MECAIR - 10" TANK WITH 2" VALVE HEADER TANK SOLUTIONS

PRODUCT LEAFLET

SPARE PARTS

VEM / VNP 516



* Code for Spring M470568 for model VEM/VNP 512-514-516-520-524
For VEM/VNP506-508-512 with Viton diaphragm, code for spring M470200
[Valve Body(B) + Tank(S) + Valve blowpipe (T) are to be considered single and complete module.] (No spare parts available for this configuration.)

STANDARD VERSION

POS.	DESCRIPTION	CODE
1	a) Solenoid*	a) KIT SB4 - ../..*
	b) Pilot group complete with base and ferrule	b) KIT CP1/4
	c) DIN connector PG9EN175301-803 IP65	c) KIT PLG9

OPTIONAL VERSION

POS.	DESCRIPTION	CODE
1	a) Solenoid	a) KIT SB4 -24/DCX
	b) Pilot group complete with base and ferrule	b) KIT CP1/4
	c) DIN connector PG9EN175301-803 IP65	c) KIT PLG11 – ATEX

In conformity with 94/9/CE ATEX Directive (cod. KIT PV-24/DCX)

POS	DESCRIPTION	CODE VEM/VNP516
1	Pilot group complete with solenoid* and DIN connector	KIT PV - ../..*
a+b+4	Pilot group complete with solenoid*, top cover and screws	KIT PVM06 - ../..*
4	Top cover	KIT M110082
5	Diaphragm	KIT DB 16
6	Diaphragm (secondary)	KIT DB 116
7	Intermediate cover (double diaphragm)	KIT M310100

* Specify voltage and frequency



MECAIR SRL

VIA BERTACCIOLA, 50, 20813 BOVISIO MASCIAGO (MB), ITALY WWW.GOYENMECAIR.PENTAIR.COM

Note: The information and data contained in this document are based on our general experience and are believed to be correct. They are given in good faith and are intended to provide a guideline for the selection and use of our products. Since the conditions under which our products may be used are beyond our control, this information does not imply any guarantee of final product performance and we cannot accept any liability with respect to the use of our products. The quality of our products is guaranteed under our conditions of sale. Existing industrial property rights must be observed.
PL PENTAIR MECAIR HEADER TANK SOLUTIONS 10in T 2in V 3517 © 2017 Pentair. All Rights Reserved.



12" TANKS WITH 2½" AND 3" VALVES

HEADER TANK SOLUTIONS

MECAIR - 12" TANKS WITH 2½" AND 3" VALVES

HEADER TANK SOLUTIONS

PRODUCT LEAFLET



DESCRIPTION

The 3" CA76MR, RCA76MR and the 2½" CA62MR and RCA62MR pulse-jet valves are designed for direct mounting to nominal 12" diameter cylindrical manifolds. The 40MMR is designed for nominal 6" diameter manifolds. The 62MR, 76MR and 40MMR valves deliver very high flow performance and are suited to reverse pulse-jet dust collector applications for a wide range of installations. The MR range is built to an exceptional quality standard and is supported by dedicated and experienced applications engineers.

SUITABLE FOR

Mounting to 12" nominal diameter pipe schedule steel or stainless steel manifolds in dust collector applications in reverse pulse-jet filter cleaning. Typical applications include bag filters, cartridge filters, envelope filters, ceramic filters and sintered metal fibre filters.

The MR Series valves are available for purchase in three configurations – as a stand-alone valve, with an outlet pipe,

or assembled to a manifold as part of a complete filter cleaning solution.

APPROVALS

- 76MR CRN – Alberta (to 632 kPa/91.1 psi, 80°C/176°F)

INSTALLATION

1. The valves are installed through the tank.
2. To avoid any potential operational problems it is preferable that the valves are not mounted underneath the tank where condensation may collect. All O-rings should be coated with a silicone-based lubricant or similar.
3. Tighten pipe outlets to 340 Nm (251 ft-lbs).
4. Make electrical connections to solenoid or connect RCA pilot port to pilot valve (RCA valves only).
5. Ensure compressed air supply is dry and free from oil and dirt.
6. Check all cleaning system components are secure before applying pressure.
7. Apply moderate pressure and check for leaks.
8. Fully pressurise system.
9. Test fire and listen for proper actuation and crisp pulse noises.

Note: Minimum valve-to-valve separation distance must be considered with due regard to the applicable pressure vessel design code (e.g. ASME, PED) and the required tank

CONSTRUCTION AND SPECIFICATIONS

TOP COVER	Diecast aluminium
BODY	Diecast aluminium
FERRULE	305 SS
ARMATURE	430FR SS
DIAPHRAGM AND SEALS	Nitrile or Viton
SPRING	304 SS
SCREWS	302 SS and 304 SS
OUTLET PIPE	Schedule 40 wrought steel with surface protection (other materials on request)
DIAPHRAGM SEAT:	Nitrile encapsulated mild steel or Viton encapsulated mild steel

WEIGHTS

SIZE	INTEGRAL PILOT (CA) KG (LB)	REMOTE PILOT (RCA) KG (LB)
76MR	4.27 kg (9.41 lb)	4.05 kg (8.93 lb)
62MR	4.58 kg (9.41 lb)	4.36 kg (8.93 lb)
40MMR	1.63 kg (3.59 lb)	1.41 kg (3.11 lb)

PRODUCT CHARACTERISTICS AND PERFORMANCE

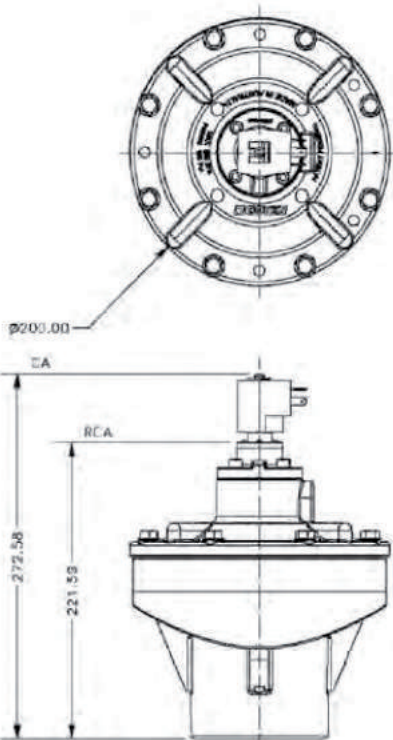
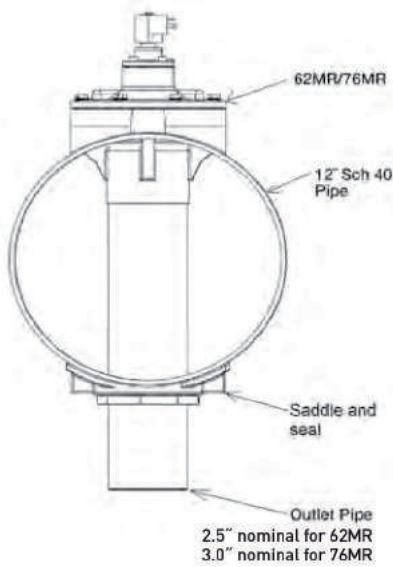
SIZE	FLOW KV (CV)	PRESSURE RANGE KPA (PSI)*	TEMPERATURE RANGE °C (°F)*	
			NITRILE SEALS	VITON SEALS
76MR	200 (233)	30 kPa/5 psi to 860 kPa/125 psi	-40°C [-40°F] to 82°C (179.6°F)	-29°C [-20.2°F] to 232°C (449.6°F)
62MR	150.7 (175.2)	30 kPa/5 psi to 860 kPa/125 psi	-40°C [-40°F] to 82°C (179.6°F)	-29°C [-20.2°F] to 232°C (449.6°F)
40MMR	150.7 (175.2)	30 kPa/5 psi to 860 kPa/125 psi	-40°C [-40°F] to 82°C (179.6°F)	-29°C [-20.2°F] to 232°C (449.6°F)

MECAIR - 12" TANKS WITH 2½" AND 3" VALVES

HEADER TANK SOLUTIONS

PRODUCT LEAFLET

62MR/76MR CONFIGURATIONS WITH OUTLET PIPE, WITHOUT MANIFOLD



ORDER CODE

RCA 76MR 12 0 0 0 000

Pilot type

RCA=remotely piloted
CA=integral pilot

Valve size

62MR
76MR

Nominal tank width

12"

Remote pilot size

0=1/8"
1=1/4"
Specify 0 for CA models.

Solenoid type

Solenoid order code for CA valve, drop the 'K-'. Refer to Q Series Solenoid product specification.

Diaphragm material

0=Nitrile
1=Viton

Pilot thread type

0=NPT
1=RC
Specify 4 for CA models.

OPERATION

Recommended on-time range: 50 to 500 ms.
Recommended time between pulses: 1 minute or greater.

MAINTENANCE

Before conducting any maintenance activity on the system ensure that components are fully isolated from pressure and power supplies. Pressure and power should not be reapplied until the valve has been fully assembled. Diaphragm and pilot inspection should be conducted annually.

MAINTENANCE KITS

MODEL	NITRILE	VITON
CA/RCA76MR Diaphragm Kit	K7600	K7601
Pilot Repair Kit for all models	K0380	K0384
CA/RCA62MR Diaphragm Kit	K7604	K7602

- Diaphragm kits include main and secondary diaphragms and all diaphragm springs.
- Pilot repair kit includes O-ring, armature assembly, armature spring and ferrule.

MODEL	NOMINAL PORT SIZE	NO. DIAPH.	PRESSURE RANGE (BAR)		COIL	KV	CV
			MIN.	MAX.			
CA62MR	2.5"	2	0.3	8.6	Yes	150.7	175.2
RCA62MR	2.5"	2	0.3	8.6	No	150.7	175.2

RCA 40MMR 6 - 1 2 0 -

Pilot type

RCA=remotely piloted
CA=integral pilot

40 mm

Nominal tank size

6"

Remote pilot size

0=1/8"

Solenoid type

Solenoid order code for CA valve, drop the 'K-'. Refer to Q Series Solenoid product specification.

Diaphragm material

0=Nitrile
1=Viton

Pilot thread type

0=NPT
1=RC
2=G

MECAIR - 12" TANKS WITH 2½" AND 3" VALVES

HEADER TANK SOLUTIONS

PRODUCT LEAFLET

INFORMATION WHEN ORDERING 62/76MR COMPLETE WITH MANIFOLD



TANK TEMPERATURE & PRESSURE RANGES

CARBON STEEL	-40°C to 110°C	-40°F to 230°F
STAINLESS STEEL	-50°C to 93°C	-58°F to 199°F
PRESSURE RANGE	100 kPa to 800 kPa	14.5 psi to 116 psi

TANK CERTIFICATIONS AVAILABLE



ORDER CODE

62MR
G R 76MR 2 0 N04 P211 XXX

<p>Goyen</p> <p>Piloting R=RCA C=CA</p> <p>Threading 0=NPT 1=RC 2=G</p> <p>Diaphragm 0=Nitrile 1=Viton</p> <p>Number of valves N01, N02, etc.</p>	<p>3PV pilot</p> <p>M3 Dual rating: 110 V DC 18 W or 220 V/240 V 50/60 Hz 46/37 VA</p> <p>M4 Dual rating: 48 V DC 18 W or 115 V 50/60 Hz 63/53 VA</p> <p>M5 Dual rating: 24 V DC 18 W or 48 V 50/60 Hz 41/32 VA</p> <p>M6 Dual rating: 12 V DC 18 W or 24 V 50/60 Hz 38/31 VA</p> <p>QR solenoid pilot</p> <p>300 200/240 V 50/60 Hz 301 100/120 V 50/60 Hz 305 24 V DC DC</p> <p>Pitch Refer to 12" Nominal Pitchstable below.</p>	<p>More options available below. See 'Voltage Range QR Series' table.</p>
--	--	---

12" MINIMAL PITCH DISTANCES

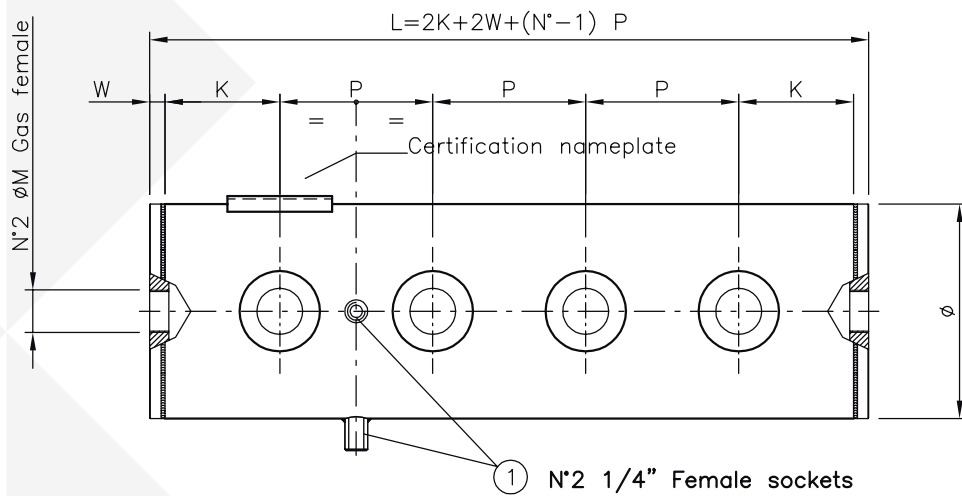
HEADER MATERIAL CALCULATION STANDARD WALL	CARBON STEEL ASME 6.35 MM	CARBON STEEL ASME 7.14 MM	STAINLESS STEEL ASME/PED AT TEMPERATURE DESIGN 70°C 4.57 MM
400 kPa	203 mm/8"	203 mm/8"	203 mm/8"
500 kPa	203 mm/8"	203 mm/8"	214 mm/8.4"
600 kPa	210 mm/8.3"	205 mm/8.1"	227 mm/8.9"
700 kPa	215 mm/8.5"	210 mm/8.3"	240 mm/9.4"
800 kPa	225 mm/8.9"	215 mm/8.5"	257 mm/10"
860 kPa	230 mm/9.1"	220 mm/8.7"	268 mm/11"

MECAIR - 12" TANKS WITH 2½" AND 3" VALVES

HEADER TANK SOLUTIONS

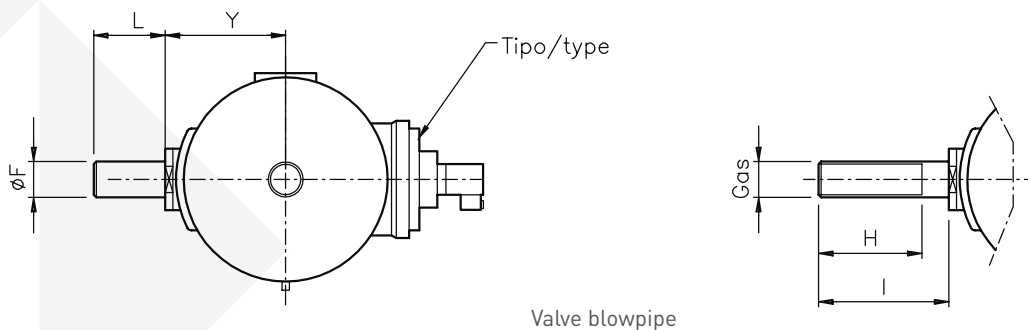
PRODUCT LEAFLET

TANK DIMENSIONS



						TO BE COMPLETED BY CUSTOMER		
Ø TANK	Ø VALVE	P MIN.	K MIN.	W	Ø M	P DISTANCE REQUIRED	N NUMBER OF VALVES	K OPTIONAL
DN12"	2.5"	205 mm*/8.1"	130 mm/5.1"	25 mm/0.98"	2"			

* Refer to 12" Nominal Pitches table above.



Valve blowpipe

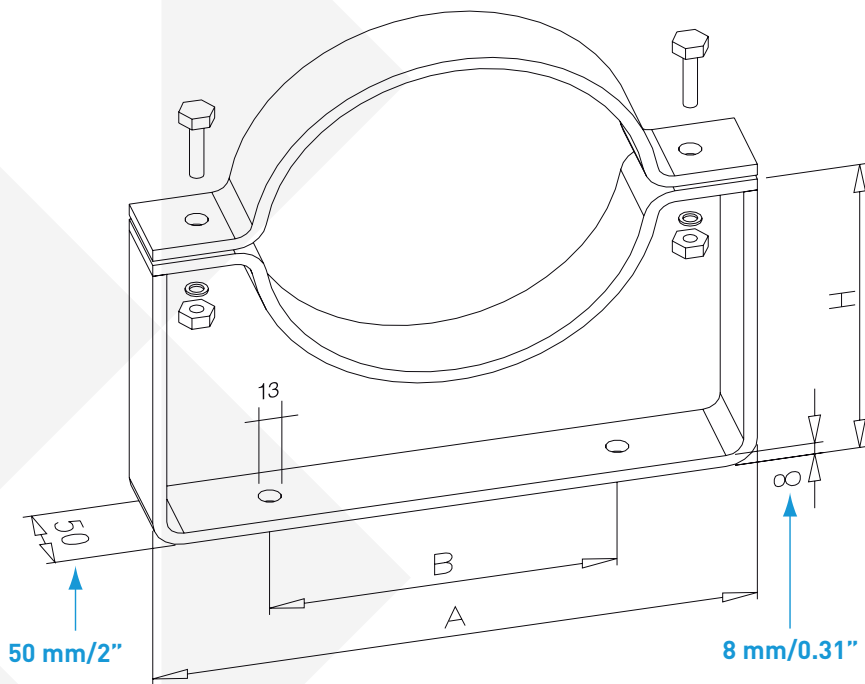
Ø TANK	Ø F	Y	SHORT UNTHREADED	L	LONG UNTHREADED	L	SHORT THREADED	Ø G GAS	H	I
DN12"	88.9	187 mm/7.4"	TS520	80 mm/3.1"	TL520	140 mm/5.5"	TF520	2.5"	130 mm/5.1"	140 mm/5.5"

MECAIR - 12" TANKS WITH 2½" AND 3" VALVES

HEADER TANK SOLUTIONS

PRODUCT LEAFLET

BRACKET DIMENSIONS



DN TANK	TYPE OF BRACKET	A	B	H
12" (323.9)	TH12	490 mm/19"	300 mm/12"	340 mm/13"
	TM12	490 mm/19"	300 mm/12"	288 mm/11"
	TB12	490 mm/19"	300 mm/12"	234 mm/9.2"

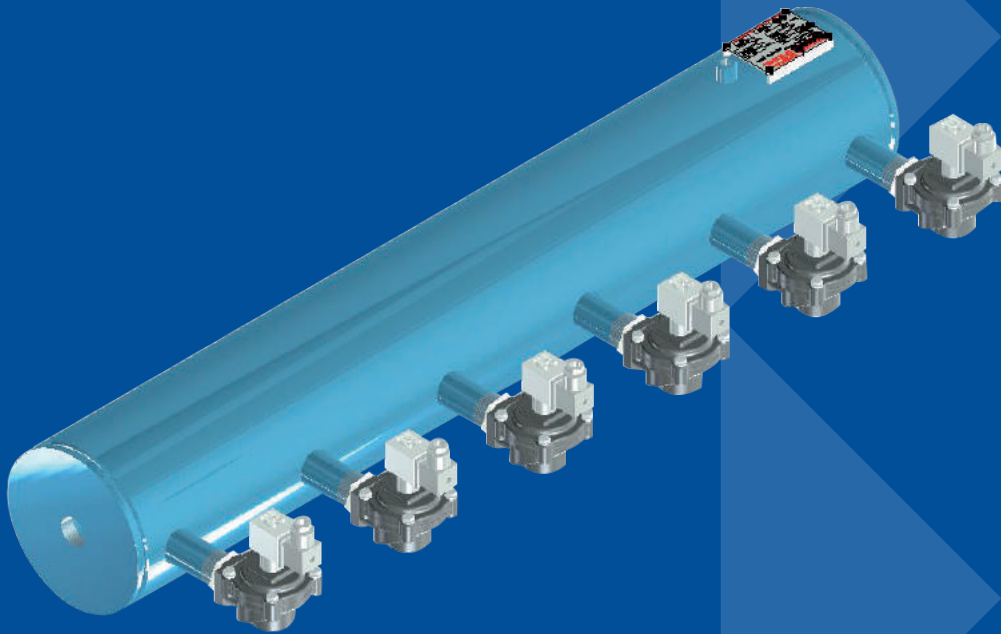


MECAIR SRL

VIA BERTACCIOLA, 50, 20813 BOVISIO MASCIAGO (MB), ITALY WWW.GOYENMECAIR.PENTAIR.COM

Note: The information and data contained in this document are based on our general experience and are believed to be correct. They are given in good faith and are intended to provide a guideline for the selection and use of our products. Since the conditions under which our products may be used are beyond our control, this information does not imply any guarantee of final product performance and we cannot accept any liability with respect to the use of our products. The quality of our products is guaranteed under our conditions of sale. Existing industrial property rights must be observed.

PL PENTAIR MECAIR HEADER TANK SOLUTIONS 12in T 2.5 + 3in V 3517 © 2017 Pentair. All Rights Reserved.



5"-10"

NON-IMMERSION HEADER TANKS

MECAIR - 5"-10"

NON-IMMERSION HEADER TANKS

PRODUCT LEAFLET

DESCRIPTION

Mecair manufactures a wide range of tanks for the pulse-jet dust collector filters, complying with the following European Directive: 97/23/CE (PED). Mecair also manufactures pressure vessels in accordance with the American Code, ASME VIII Div.1 ("U" and "UM" Stamp). Models of tanks manufactured are listed below as follows:

TANK TYPE A: with threaded stub pipes male Gas (for the 200 Series valves).

TANK TYPE B: with unthreaded stub pipes (for the 300 Series valves).

TANK TYPE D: with welded flanges (for the 600 and 700 Series valves).

HEADER TANK

The tanks manufactured by Mecair are designed for a maximum operating pressure of 8 bar. We suggest the installation of compressed-air filter units to ensure air supply is clean and dry. Tank diameters range from 5", 6", 8", 10", 12" to 14". All tanks are manufactured in accordance with the customer's requirements.

NOTE: add "F" at the end of the key for tank with flat end caps (only on request).

HOW TO CHOOSE THE DIAMETER OF YOUR TANK

The tank volume must be proportional to the output capacity of the installed diaphragm valve:

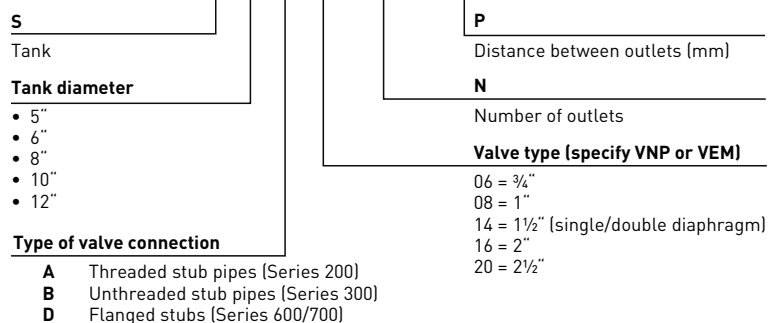
1. Choose your Mecair diaphragm valve, according to needs.
2. Define tank length.
3. Using the table below, select the right tank diameter.
4. Write down the tank code.

NOTE: The diaphragm valves mentioned in this publication refer to the specific Mecair products catalogue. (VEM: diaphragm valve with remote pilot. VNP: diaphragm valve with integrated pilot.)

VALVE TYPE	1 MT.	1.5 MT.	2 MT.	3 MT.	4 MT.	5 MT.
VEM/VNP 206 - 306	6"	5"	5"	5"	5"	5"
VEM/VNP 208 - 308	6"	6"	6"	5"	5"	5"
VEM/VNP 214 - 314 - 608 - 708	8"	8"	6"	6"	6"	5"
VEM/VNP 216 - 614 - 714	10"	10"	10"	8"	6"	6"
VEM/VNP 220 - 616 - 716			10"	10"	8"	8"

HOW TO ORDER

Part Number Code: **S 6 A 08 N12 P150**



MECAIR - 5"-10"

NON-IMMERSION HEADER TANKS

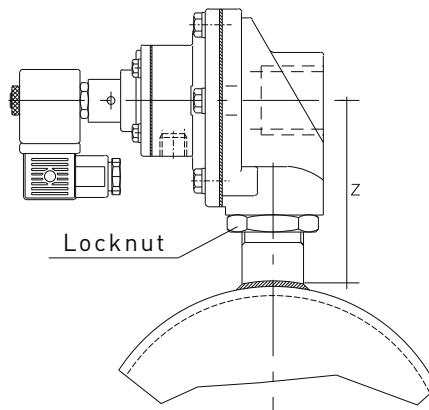
PRODUCT LEAFLET

TANK TYPE "A" WITH THREADED STUB PIPES GAS OR NPT MALE

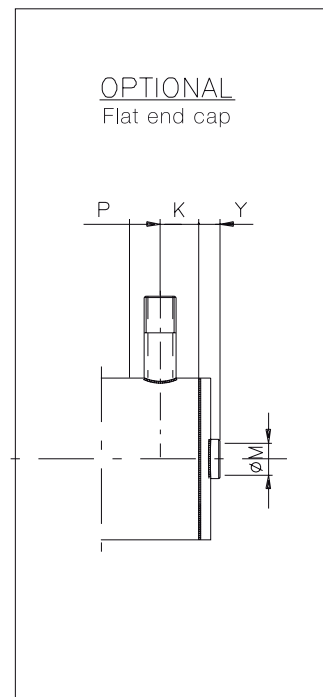
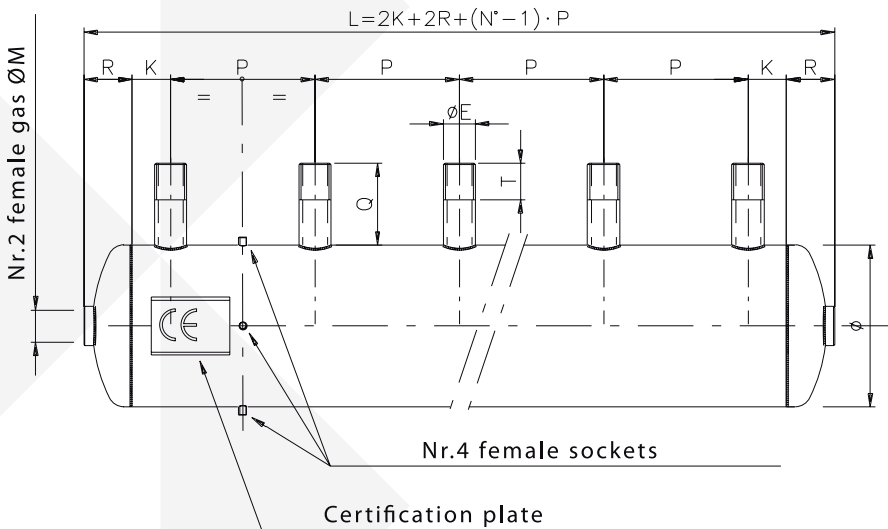
TANK type "A" with threaded stub pipe connections is suitable for mounting the 200 Series valves.

Available outlet diameters: 3/4", 1", 1 1/2", 2" and 2 1/2".

NOTE: Always use the locknut, position the valve, then tighten the locknut.



L	$2K + 2R + (\text{No.} - 1) \times P$
NO.	No. of connections
P	Distance between connections



Ø NOM.	Ø EXT.	NO. VALVES	Ø M	P MIN.	P	K MIN.	K	R	Y	Ø TANK	Ø E GAS	Q	T	Z (±1)
5"	141.3	*	1"	150	*	40*	*	50	15	5"/6"	3/4"	85	40	112
6"	168.3	*	1"	150	*	40*	*	50	15	5"/6"	1"	85	40	120
8"	219.1	*	1 1/2"	150	*	40*	*	70	18	5"/6"/8"	1 1/2"	85	40	136
10"	273.0	*	1 1/2"	280	*	65	*	90	18	8"	2"	85	40	150
										8"/10"	2 1/2"	85	40	175

* Dimensions to be set by designer.
Tanks are painted in light blue RAL 5012 [other colours optional].

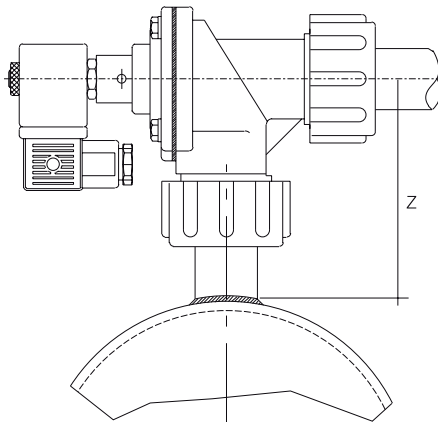
MECAIR - 5"-10"

NON-IMMERSION HEADER TANKS

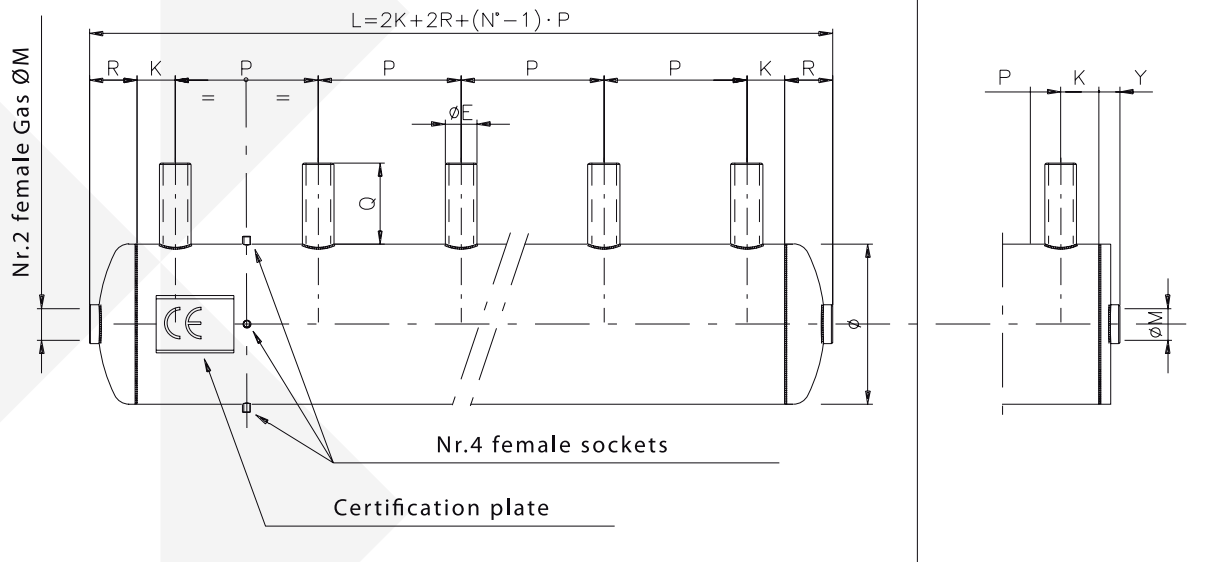
PRODUCT LEAFLET

TANK TYPE "B" WITH UNTHREADED STUB PIPES

TANK type "B" with unthreaded stub pipe connections is suitable for mounting the 300 Series valves. Available outlet diameters: 3/4", 1", 1 1/2".



L	$2K + 2R + (\text{No.} - 1) \times P$
NO.	No. of connections
P	Distance between connections



Ø NOM.	Ø EXT.	NO. VALVES	Ø M	P MIN.	P	K MIN.	K	R	Y	Ø TANK	Ø E GAS	Q	Z
5"	141.3	*	1"	150	*	40*	*	50	15	5" / 6"	3/4"	85	125
6"	168.3	*	1"	150	*	40*	*	50	15	5" / 6"	1"	85	133
8"	219.1	*	1 1/2"	150	*	40*	*	70	18	5" / 6" / 8"	1 1/2"	85	138
10"	273.0	*	1 1/2"	150	*	65	*	90	18				

* Dimensions to be set by designer.
Tanks are painted in light blue RAL 5012 (other colours optional).

MECAIR - 5"-10"

NON-IMMERSION HEADER TANKS

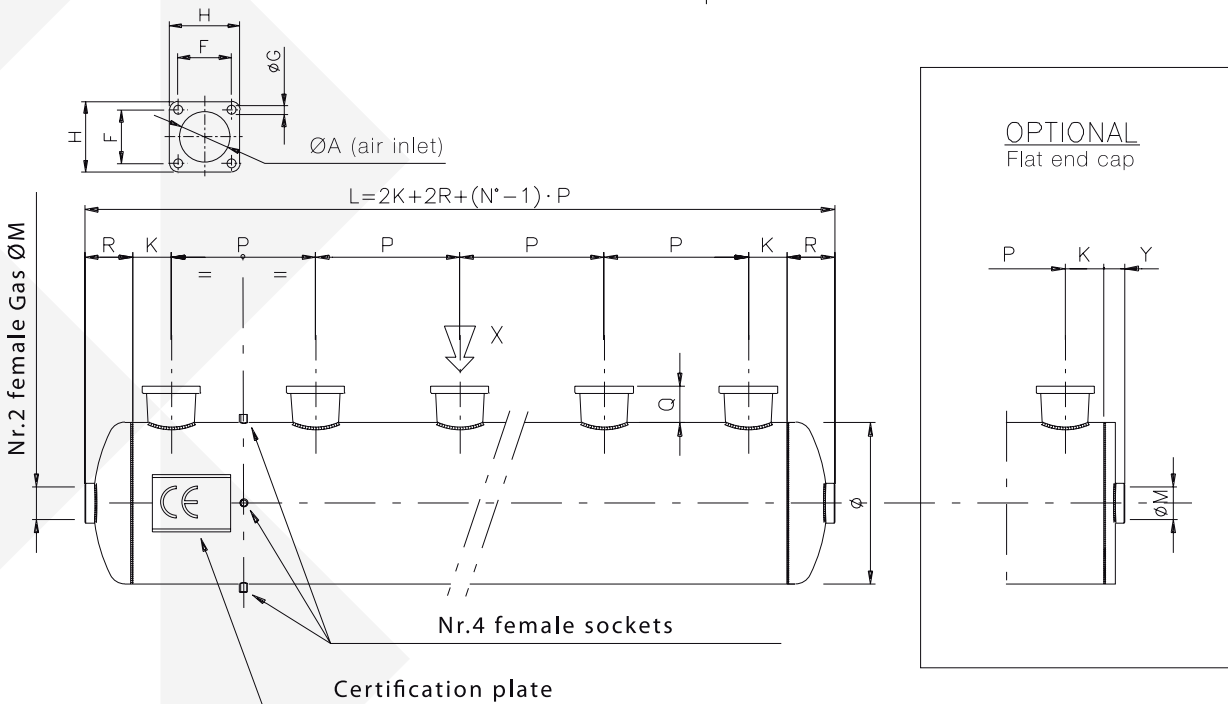
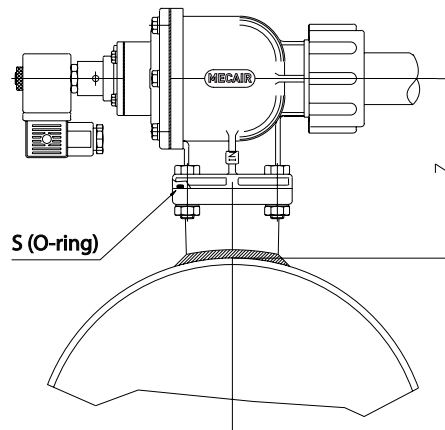
PRODUCT LEAFLET

TANK TYPE "D" WITH FLANGED STUB PIPES

TANK type "D" with flanged stub pipe connections is suitable for mounting the 600 and 700 Series valves. Full range of sizes available.

NOTE: Tank type "D" fully equipped with VNP series 600 and/or 700 valves.

L	$2K + 2R + (\text{No.} - 1) \times P$
NO.	No. of connections
P	Distance between connections



Ø NOM.	Ø EXT.	Ø M	P	K MIN.	R	Q
5"	141.3	1"	*	50	50	45
6"	168.3	1"	*	50	50	45
8"	219.1	1½"	*	50	70	45
10"	273.0	2"	*	50	100	48

FLANGE F	Ø G	H	Ø A	Z	S
FL08	60	9	83	2"	133
FL14	72	11.5	95	2½"	148
FL16	85	13.5	110	3"	162
FL20	94	13.5	120	3½"	177

* Dimensions to be set by designer.
Tanks are painted in light blue RAL 5012 [other colours optional].



MECAIR SRL

VIA BERTACCIOLA, 50, 20813 BOVISIO MASCIAGO (MB), ITALY WWW.GOYENMECAIR.PENTAIR.COM

Note: The information and data contained in this document are based on our general experience and are believed to be correct. They are given in good faith and are intended to provide a guideline for the selection and use of our products. Since the conditions under which our products may be used are beyond our control, this information does not imply any guarantee of final product performance and we cannot accept any liability with respect to the use of our products. The quality of our products is guaranteed under our conditions of sale. Existing industrial property rights must be observed.

PL PENTAIR MECAIR NON-IMMERSION HEADER TANKS 3517 © 2017 Pentair. All Rights Reserved.



CLEANING SYSTEMS

MECAIR

CLEANING SYSTEMS

PRODUCT LEAFLET

DESCRIPTION

The patented Mecair "Full Immersion System" range, now includes the new Mini-Full designed for direct pneumatic injection into the filtering elements. The new 1/2" Full Immersion valve has been designed for installation directly above the filtering element, producing increased efficiency of the cleaning system and eliminating the blowtube. A typical installation includes the direct cleaning of cartridges. The advantage of utilising this new cleaning system is substantial cost savings in compressed air and a reduction in the interference of the filtering process by cleaning a smaller ratio of the filtration surface area.

Mecair always recommends that compressed air be dry, filtered and oil free.

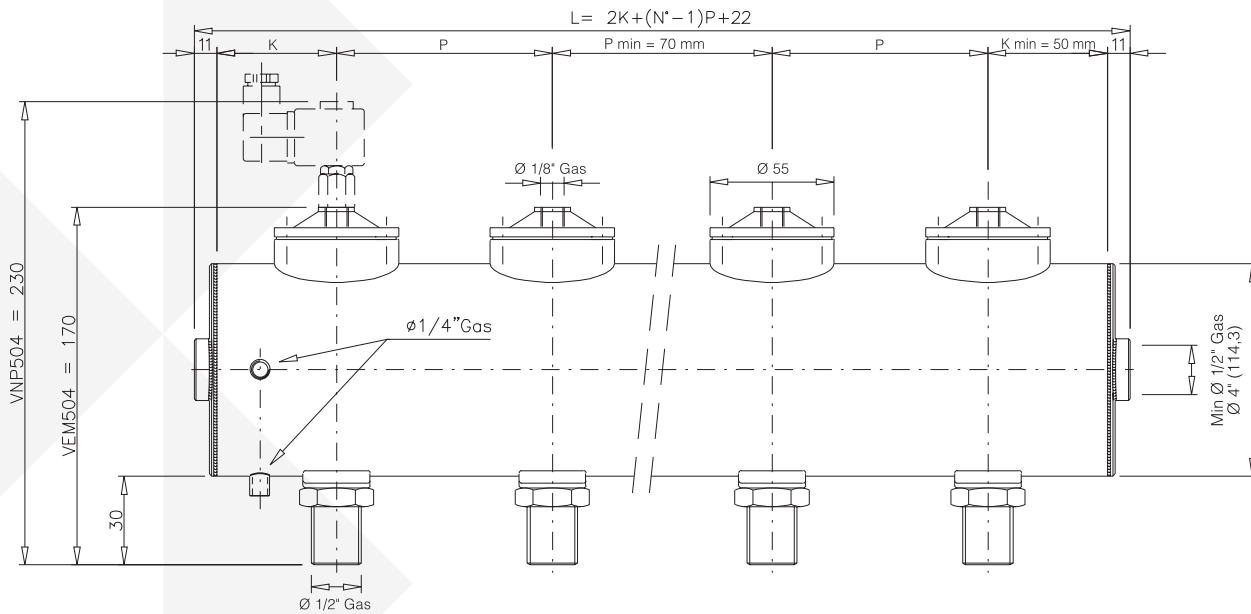


MECAIR

CLEANING SYSTEMS

PRODUCT LEAFLET

DESCRIPTION AND DIMENSIONS (MM)



P min. = 70 mm / K min. = 50 mm

GENERAL CHARACTERISTICS

AIR	Filtered air and oil free
DIAPHRAGM	Viton: -30°C/+200°C Nitrile: -40°C/+120°C
OPERATING PRESSURE	From 0.5 to 6.0 bar

ELECTRICAL CHARACTERISTICS

COIL INSULATION	Class H
CONNECTOR	PG9 connection
SPECIFICS	EN175301 - 803 / A/ISO 4400
ISOLATION CLASS CONNECTOR	VDE 0110 - 1/89
ELECTRICAL PROTECTION	IP65 EN60529
VOLTAGE RANGE	24 V DC [-5%, +20%] 18 W

SPARE PARTS

PILOT	CP 1/8
SOLENOID	SB4 - 24 DC - 18 W
DIAPHRAGM + SPRING	KIT DB 14

CONSTRUCTION FEATURES

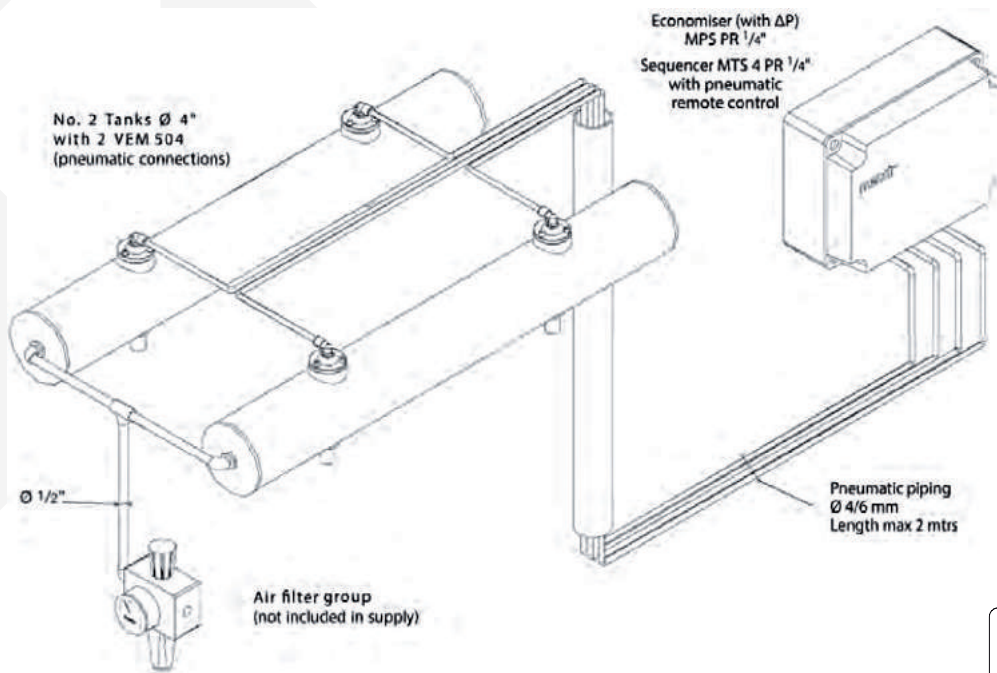
TOP COVER	Diecast aluminium
BODY	Diecast aluminium
PILOT	Brass
BOLTS AND SCREWS	Stainless steel
DIAPHRAGM BACKING PLATE	Nylon
SPRING	Stainless steel

MECAIR

CLEANING SYSTEMS

PRODUCT LEAFLET

DESCRIPTION MINI-FULL SYSTEM WITH PNEUMATIC CONNECTIONS

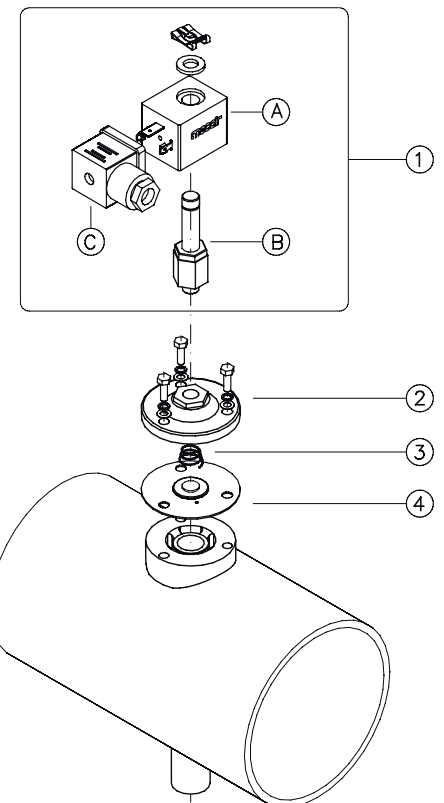


Economiser with ΔP and pilot values incorporated (Max 12) type:

- MPS: PR 1/4" – Solenoid 24 V/DC
Sequencer (with ΔP) and pilot valves incorporated (Max 12) type:

- MTS: PR 1/4" – Solenoid 24 V/DC

Upon request, controllers are available certified in accordance with the European Directive 94/9/CE ATEX II 3 D (Zone 22).



POS.	DESCRIPTION	CODE
1	a) Solenoid	a) KIT SB4 - ../.. (*)
	b) Pilot group	b) KIT CP1/8
	c) DIN connector	c) KIT PLG9
PILOT GROUP WITH COIL AND CONNECTOR		KIT PV - ../.. (*)
PILOT GROUP COMPLETE WITH COVER.		KIT PVM04 - ../.. (*)
COVER.		KIT M110120
SPRING.		KIT M470166
DIAPHRAGM.		KIT DB14

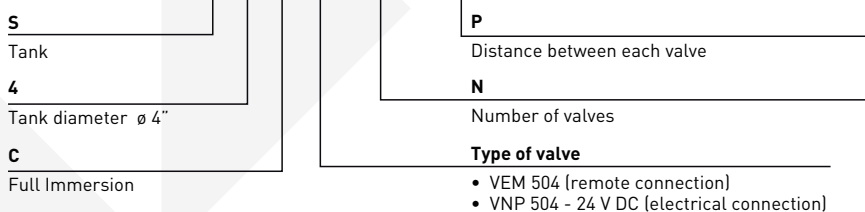
MECAIR

CLEANING SYSTEMS

PRODUCT LEAFLET

CODE DESCRIPTION

Part Number Code: **S 4 C 04 N02 P180**



EXAMPLE OF HOW TO ORDER A COMPLETE SYSTEM OF

No. 2 Tank Mini Full "4". Tank complete with No. 2 × 1/2" valves with pneumatic connections. Distance 400 mm.

No. 2 { S4C04N02P400
VEM504

No. 1 Electronic Controller with ΔP complete with 4 remote pilots.

No. 1 { MPS4PR1/4"



MECAIR SRL

VIA BERTACCIOLA, 50, 20813 BOVISIO MASCIAGO (MB), ITALY WWW.GOYENMECAIR.PENTAIR.COM

Note: The information and data contained in this document are based on our general experience and are believed to be correct. They are given in good faith and are intended to provide a guideline for the selection and use of our products. Since the conditions under which our products may be used are beyond our control, this information does not imply any guarantee of final product performance and we cannot accept any liability with respect to the use of our products. The quality of our products is guaranteed under our conditions of sale. Existing industrial property rights must be observed.

PL PENTAIR MECAIR CLEANING SYSTEMS 3517 © 2017 Pentair. All Rights Reserved.



PNEUMATIC AIR CANNONS

MECAIR

PNEUMATIC AIR CANNONS

PRODUCT LEAFLET

DESCRIPTION

Mecair produces a complete series of air cannons to dislodge all types of dust which stick to the walls of the hoppers and the bottom of the silos. These devices are more efficient than "fluidification" and "vibration" systems, especially with particularly sticky dust. The air cannons consist of two basic elements: the first is the Mecair diaphragm valve with an extremely high flow rate and the second is an air accumulator. The valves are quickopening and discharge instantaneously the pneumatic energy of the tank on which they are mounted, striking the material to be dislodged with a violent impulse of compressed air. A strong vibration spreads to all parts of the product, causing the dust to fall, without stressing the silo's structure. The air cannons are available in 4 versions:

MODEL	TYPE	WEIGHT IN KG
CNN5	Diaphragm valve VNP 206 (¾") + 5 litre air accumulator	7
CNN15	Diaphragm valve VNP 208 (1") + 15 litre air accumulator	13.5
CNN25	Diaphragm valve VNP 212 (1½") + 25 litre air accumulator	20
CNN50	Diaphragm valve VNP 216 (2") + 50 litre air accumulator	43.5

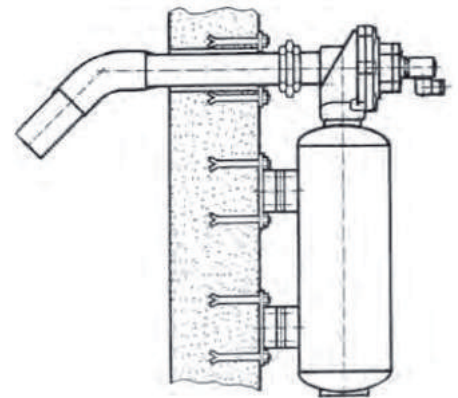
CONSTRUCTION CHARACTERISTICS - VALVE

TOP COVER	Diecast aluminium (anodised)
BODY	Diecast aluminium (anodised)
BOLTS AND SCREWS	Stainless steel
AIR ACCUMULATOR	Carbon steel

SAFETY RECOMMENDATIONS

- The anchorage brackets must always be fixed before supplying the tank with compressed air.
- Before dismantling the tank from its structure, shut off the supply of compressed air and ensure air accumulator has been emptied.
- Supply with compressed air filtered, oil free and with a maximum operating pressure of 0.5 bar–7.5 bar.

EXAMPLE OF INSTALLATION

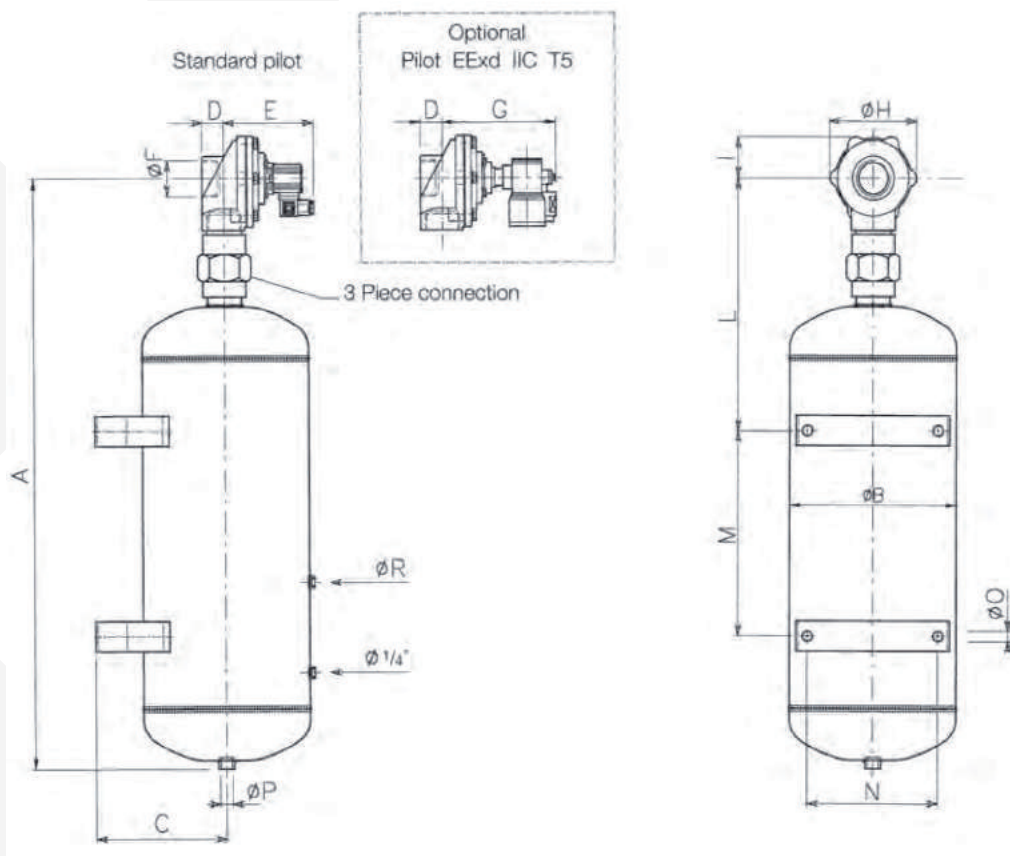


MECAIR

PNEUMATIC AIR CANNONS

PRODUCT LEAFLET

DIMENSIONS (MM)



MODEL	A	Ø B	C	D	E	Ø F	VALVE	G	Ø H	I	L	M	N	Ø O	Ø P	Ø R
CNN5	515	141.3	100	18	100	3/4"	VNP206	140	60	34	230	150	120	13	1/2"	1/2"
CNN15	605	219.1	160	23	100	1"	VNP208	140	72	38	220	280	260	13	1/2"	1/2"
CNN25	895	219.1	160	31	122	1 1/2"	VNP212	162	135	58	362	320	260	13	1/2"	1/2"
CNN50	1180	273	200	35	171	2"	VNP216	211	160	75	445	460	295	13	1/2"	1/2"



MECAIR SRL

VIA BERTACCIOLA, 50, 20813 BOVISIO MASCIAGO (MB), ITALY WWW.GOYENMECAIR.PENTAIR.COM

Note: The information and data contained in this document are based on our general experience and are believed to be correct. They are given in good faith and are intended to provide a guideline for the selection and use of our products. Since the conditions under which our products may be used are beyond our control, this information does not imply any guarantee of final product performance and we cannot accept any liability with respect to the use of our products. The quality of our products is guaranteed under our conditions of sale. Existing industrial property rights must be observed.
PL PENTAIR MECAIR PNEUMATIC AIR CANNONS 3517 © 2017 Pentair. All Rights Reserved.

GOYEN - CP SERIES - CLOSE PITCHED VALVE MANIFOLD SYSTEM

PRODUCT LEAFLET



CP Series

MANIFOLD CONSTRUCTION CHARACTERISTICS

MANIFOLD DIAMETER	12" nominal (DN 12")
MANIFOLD ENDS TYPE	Flat
CONSTRUCTION MATERIALS	Carbon steel or stainless steel (304 and 316L)
CONSTRUCTION COMPLIANCE/ CERTIFICATIONS AVAILABLE	- 97/23/EC (PED) - ASME VIII Div 1 (U & UM Stamp)
MINIMUM SPACING BETWEEN PULSE PIPE OUTLETS	175 mm 6.89"
PULSE PIPE SIZE	3" Schedule 40
PULSE PIPE END TYPE	Plain (Ø 88.9 mm OD)
TANK-TO-TANK CONNECTION FITTING SIZE	2" Gas (BSPP) female

DESCRIPTION

12" diameter filter cleaning system manifold complete with 3" port CPV valves. Used in the reverse pulse cleaning of particulate filter elements. Suited to very narrow filter arrangements.

FEATURES

- ASME or PED compliance
- Carbon or stainless steel
- Minimum valve-to-valve spacing of 175 mm (6.89")
- Manifold pressure range from 1.0 to 8.0 bar (14.5 to 116 psi)
- Very high flow rates
- Rapid open and closing response rates

Please refer to Close Pitched Valve specification for valve performance and technical details.

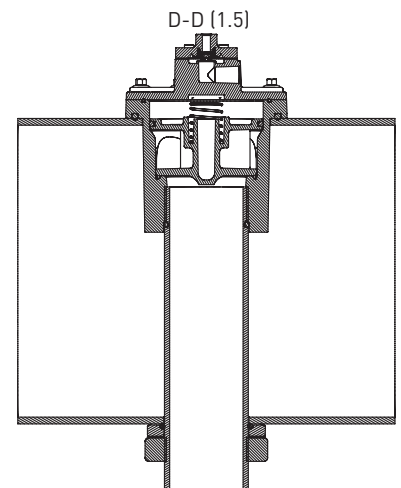
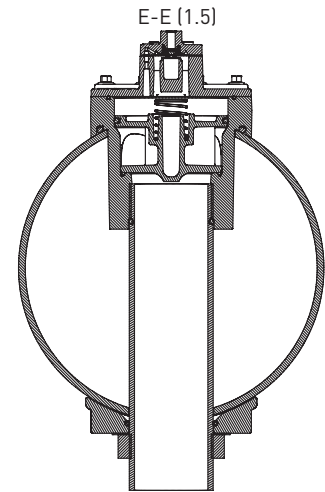
MANIFOLD TEMPERATURE RATINGS

CARBON STEEL CONSTRUCTION	-40°C to 100°C -40°F to 230°F
STAINLESS STEEL CONSTRUCTION	-50°C to 93°C -58°F to 199°F
VALVE OPERATING TEMPERATURE RANGE	-30°C to 100°C -22°F to 212°F
MANIFOLD PRESSURE LIMITS	1.0 to 8.0 bar 14.5 to 116 psi

STANDARD FINISHES

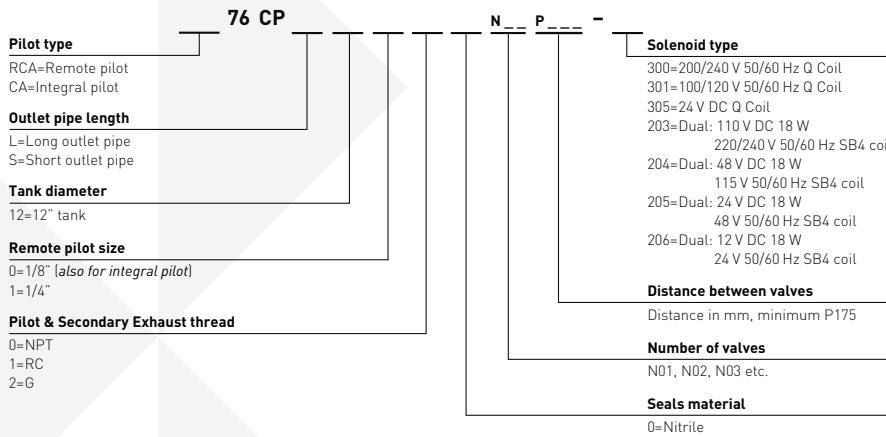
Carbon steel tanks: Abrasive cleaning, degreasing, undercoat (anti-rust) RAL7042 (25 µm), top coat (polyurethane) RAL5012 (25 µm minimum), total thickness 50 µm (-10% + 40%).

Other finishes, including e-coat/cataphoresis, available on request.

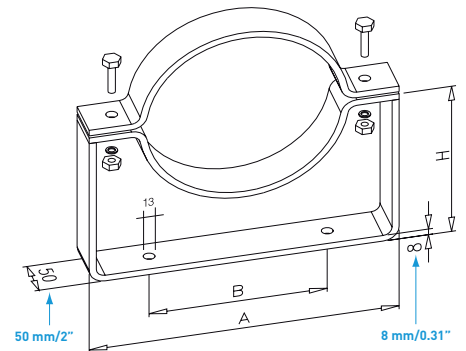


GOYEN - CP SERIES - CLOSE PITCHED VALVE MANIFOLD SYSTEM

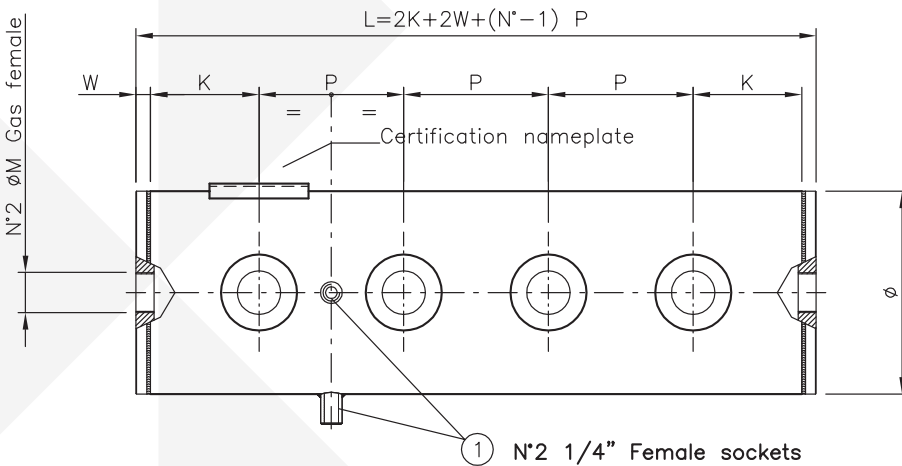
ORDER CODE - CLOSE PITCHED VALVE MANIFOLD SYSTEM



MANIFOLD BRACKETS



MANIFOLD DIMENSIONS



BRACKET DIMENSIONS

MODEL	A	B	H
TH12	490 mm [19"]	300 mm [12"]	340 mm [13"]
TM12	490 mm [19"]	300 mm [12"]	288 mm [11"]
TB12	490 mm [19"]	300 mm [12"]	234 mm [9.2"]

P MIN.	K MIN.	W	ØM
175 mm [6.89"]	100 mm [3.94"]	20 mm [0.79"]	2"



GOYEN CONTROLS PTY LIMITED

268 MILPERRA ROAD, MILPERRA NSW 2214, AUSTRALIA WWW.GOYENMECAIR.PENTAIR.COM

Note: The information and data contained in this document are based on our general experience and are believed to be correct. They are given in good faith and are intended to provide a guideline for the selection and use of our products. Since the conditions under which our products may be used are beyond our control, this information does not imply any guarantee of final product performance and we cannot accept any liability with respect to the use of our products. The quality of our products is guaranteed under our conditions of sale. Existing industrial property rights must be observed. PL PENTAIR GOYEN CP SERIES 0318 © 2018 Pentair. All Rights Reserved.